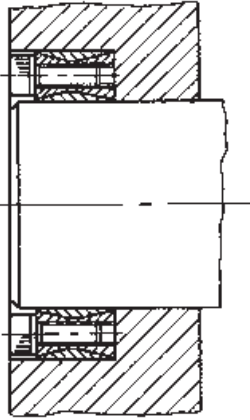


Clamping Elements Type RCK 40



These are the original type of shaft clamping elements, proven in a wide range of applications for more than 20 years. Suited to more general applications, this series provides medium torque transmission, which can be increased by mounting the unit in series. This type does not provide self centring, and therefore other methods of centring the hub to the shaft are required. The units do not move axially during clamping and generally self-release when clamping screws are relaxed.

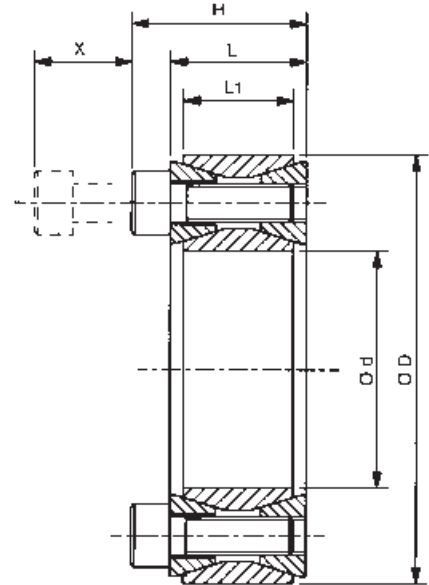
Recommended tolerances for full torque transmission are:-

Shaft h9
Hub H9

As both cones are split larger tolerances, up to h11/H11 can be accommodated, but with a reduction in torque capacity. Clamping surfaces to be finished to $Rz \leq 15 \mu\text{m}$.

If two or more elements are used in series the resultant torque will be proportionally increased. However the minimum hub dia. must be increased to accommodate the extra stress.

X = Distance required to remove screws, additional clearance for alan key may be required.



Dimensions

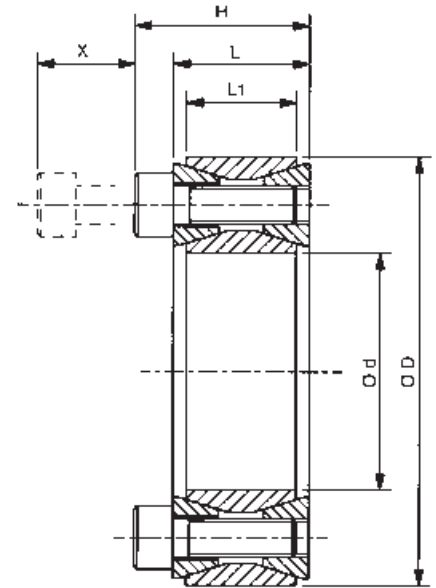
Part No. †	Dimensions mm						Torque Cap. M Nm	Axial Force F kN	Surface Pressure		Clamping Screws		Extraction Screws Size	Approx Weight kg	Min. Hub Dia* mm		
	d	D	L	L1	H	X			Shaft Ps N/mm²	Hub Ph N/mm²	Size	Torque Nm			Assy Type A	Assy Type B	Assy Type C
RCK40-18x47	18	47	20	17	28	18	250	28	235	92	M5	15	M8	0.26	63	59	56
RCK40-19x47	19	47	20	17	28	18	265	28	235	92	M6	15	M8	0.25	63	59	56
RCK40-20x47	20	47	20	17	28	18	280	28	208	92	M6	15	M8	0.24	63	59	56
RCK40-22x47	22	47	20	17	28	18	310	28	192	92	M6	15	M8	0.23	63	59	56
RCK40-24x50	24	50	20	17	28	18	370	31	192	94	M6	15	M8	0.26	68	64	60
RCK40-25x50	25	50	20	17	28	18	390	31	187	94	M6	15	M8	0.25	68	64	60
RCK40-28x55	28	55	20	17	28	18	490	35	153	94	M6	15	M8	0.30	74	70	66
RCK40-30x55	30	55	20	17	28	18	520	35	173	94	M6	15	M8	0.29	74	70	66
RCK40-32x60	32	60	20	17	28	18	680	43	205	105	M6	15	M8	0.34	84	79	73
RCK40-35x60	35	60	20	17	28	18	710	41	180	105	M6	15	M8	0.32	84	79	73
RCK40-38x65	38	65	20	17	28	18	880	46	176	108	M6	15	M8	0.36	92	86	80
RCK40-40x65	40	65	20	17	28	18	930	47	176	108	M6	15	M8	0.34	92	86	80
RCK40-42x75	42	75	20	17	28	18	1580	75	235	123	M6	15	M8	0.60	112	103	95
RCK40-45x75	45	75	24	20	34	22	1620	72	206	123	M8	37	M10	0.57	112	103	95
RCK40-48x80	48	80	24	20	34	22	1690	70	186	108	M8	37	M10	0.63	114	106	98
RCK40-50x80	50	80	24	20	34	22	1770	71	187	113	M8	37	M10	0.60	116	107	99
RCK40-55x85	55	85	24	20	34	22	2260	82	196	127	M8	37	M10	0.63	129	118	108
RCK40-60x90	60	90	24	20	34	22	2450	82	177	120	M8	37	M10	0.69	133	123	113
RCK40-65x95	65	95	24	20	34	22	3040	94	188	128	M8	37	M10	0.73	145	132	121
RCK40-70x110	70	110	28	24	40	25	4560	130	206	127	M10	70	M12	1.26	167	153	140
RCK40-75x115	75	115	28	24	40	25	4820	129	191	124	M10	70	M12	1.33	173	158	146
RCK40-80x120	80	120	28	24	40	25	5130	128	177	120	M10	70	M12	1.40	178	164	151
RCK40-85x125	85	125	28	24	40	25	6230	147	191	127	M10	70	M12	1.49	190	174	159
RCK40-90x130	90	130	28	24	40	25	6520	145	176	122	M10	70	M12	1.53	194	178	164
RCK40-95x135	95	135	28	24	40	25	7770	164	191	133	M10	70	M12	1.62	210	191	174
RCK40-100x145	100	145	33	26	47	30	9460	189	193	133	M12	127	M14	2.01	226	205	187
RCK40-110x155	110	155	33	26	47	30	10490	191	176	122	M12	127	M14	2.15	232	212	196
RCK40-120x165	120	165	33	26	47	30	12945	216	182	132	M12	127	M14	2.35	256	233	213
RCK40-130x180	130	180	38	34	47	30	17360	267	159	115	M12	127	M14	3.51	262	242	224
RCK40-140x190	140	190	38	34	52	35	20650	295	163	120	M12	127	M14	3.85	282	259	239
RCK40-150x200	150	200	38	34	52	35	23815	318	164	123	M12	127	M14	4.07	300	275	253
RCK40-160x210	160	210	38	34	52	35	27615	345	167	127	M12	127	M14	4.30	320	292	268
RCK40-170x225	170	225	44	38	60	40	32370	381	155	117	M14	195	M16	5.78	330	304	281
RCK40-180x235	180	235	44	38	60	40	37270	414	159	122	M14	195	M16	6.05	351	322	297
RCK40-190x250	190	250	52	46	68	45	45810	482	145	110	M14	195	M16	8.25	358	332	308
RCK40-200x260	200	260	52	46	68	45	51600	516	148	114	M14	195	M16	8.65	377	348	323

*Minimum outside diameter of hubs manufactured in medium carbon steels with yield strength $\geq 320 \text{ N/mm}^2$. For hub types, and other materials, refer to page 3. For assembly and disassembly instructions refer to page 24.

† Clamping Elements with inch bores are also available to order.

Email: sales@crossmorse.com Fax: +44 121 325 1079 Tel: +44 121 360 0155

Clamping Elements Type RCK 40



Dimensions

Part No. †	Dimensions mm						Torque Cap. M Nm	Axial Force F kN	Surface Pressure		Clamping Screws		Extraction Screws	Approx Weight kg	Min. Hub Dia* mm		
	d	D	L	L1	H	X			Shaft Ps N/mm ²	Hub Ph N/mm ²	Size	Torque Nm			Size	Assy Type A	Assy Type B
RCK40-220x285	220	285	56	50	74	50	66800	607	145	112	M16	290	M18	11.3	411	380	353
RCK40-240x305	240	305	56	50	74	50	93200	777	170	134	M16	290	M18	12.3	477	432	394
RCK40-260x325	260	325	56	50	74	50	114500	881	178	143	M16	290	M18	13.3	525	472	427
RCK40-280x355	280	355	66	60	86	60	141000	1007	158	124	M18	410	M20	19.3	535	490	450
RCK40-300x375	300	375	66	60	86	60	170000	1133	166	133	M18	410	M20	20.5	583	529	483
RCK40-320x405	320	405	78	70	100	70	235500	1472	173	137	M20	590	M22	29.5	639	578	526
RCK40-340x425	340	425	78	70	100	70	250000	1471	163	130	M20	590	M22	31.1	654	596	545
RCK40-360x455	360	455	90	80	114	80	329000	1828	167	132	M22	790	M24	42.7	706	641	586
RCK40-380x475	380	475	90	80	114	80	346400	1823	158	126	M22	790	M24	44.8	721	659	605
RCK40-400x495	400	495	90	80	114	80	365000	1825	150	121	M22	790	M24	46.9	738	677	624
RCK40-420x515	420	515	90	80	114	80	430000	2048	160	131	M22	790	M24	49.0	795	723	661
RCK40-440x545	440	545	102	90	132	90	492000	2236	149	120	M24	1000	M24	64.7	808	743	685
RCK40-460x565	460	565	102	90	132	90	514000	2235	142	116	M24	1000	M24	67.3	825	761	704
RCK40-480x585	480	585	102	90	132	90	563000	2346	143	117	M24	1000	M24	70.0	859	791	732
RCK40-500x605	500	605	102	90	132	90	615000	2460	144	119	M24	1000	M24	72.6	894	822	759
RCK40-520x630	520	630	102	90	132	90	654000	2515	141	117	M24	1000	M24	79.2	923	851	787
RCK40-540x650	540	650	102	90	132	90	679000	2515	136	113	M24	1000	M24	81.9	941	869	806
RCK40-560x670	560	670	102	90	132	90	751000	2682	140	117	M24	1000	M24	84.7	983	906	837
RCK40-580x690	580	690	102	90	132	90	810000	2793	141	118	M24	1000	M24	87.4	1017	936	865
RCK40-600x710	600	710	102	90	132	90	838000	2793	136	115	M24	1000	M24	90.2	1034	955	884
RCK40-620x730	620	730	102	90	132	90	901000	2906	137	116	M24	1000	M24	92.9	1069	985	911
RCK40-640x750	640	750	102	90	132	90	966000	3019	138	118	M24	1000	M24	95.7	1103	1016	939
RCK40-660x770	660	770	102	90	132	90	1030000	3121	131	112	M24	1000	M24	98.4	1110	1027	953
RCK40-680x790	680	790	102	90	132	90	1070000	3147	128	110	M24	1000	M24	101.2	1130	1048	974
RCK40-700x810	700	810	102	90	132	90	1150000	3286	130	112	M24	1000	M24	103.9	1167	1080	1002
RCK40-720x830	720	830	102	90	132	90	1190000	3306	127	110	M24	1000	M24	106.7	1188	1101	1023
RCK40-740x850	740	850	102	90	132	90	1270000	3432	129	112	M24	1000	M24	109.4	1225	1133	1052
RCK40-760x870	760	870	102	90	132	90	1350000	3553	129	113	M24	1000	M24	112.2	1258	1163	1079
RCK40-780x890	780	890	102	90	132	90	1390000	3564	127	111	M24	1000	M24	114.9	1278	1183	1099
RCK40-800x910	800	910	102	90	132	90	1450000	3625	125	110	M24	1000	M24	117.7	1302	1207	1122
RCK40-820x930	820	930	102	90	132	90	1530000	3732	126	111	M24	1000	M24	120.5	1336	1237	1149
RCK40-840x950	840	950	102	90	132	90	1620000	3857	127	112	M24	1000	M24	123.2	1369	1267	1176
RCK40-860x970	860	970	102	90	132	90	1690000	3930	126	112	M24	1000	M24	126.0	1398	1293	1200
RCK40-880x990	880	990	102	90	132	90	1770000	4023	126	112	M24	1000	M24	128.7	1427	1320	1225
RCK40-900x1010	900	1010	102	90	132	90	1840000	4089	126	112	M24	1000	M24	131.5	1456	1347	1250
RCK40-920x1030	920	1030	102	90	132	90	1900000	4130	124	111	M24	1000	M24	134.2	1479	1370	1272
RCK40-940x1050	940	1050	102	90	132	90	1990000	4234	124	111	M24	1000	M24	137.0	1508	1396	1297
RCK40-960x1070	960	1070	102	90	132	90	2080000	4333	125	112	M24	1000	M24	139.7	1542	1427	1324
RCK40-980x1090	980	1090	102	90	132	90	2160000	4408	125	112	M24	1000	M24	142.5	1571	1453	1349
RCK40-1000x1110	1000	1110	102	90	132	90	2230000	4460	123	111	M24	1000	M24	145.2	1594	1476	1371

*Minimum outside diameter of hubs manufactured in medium carbon steels with yield strength ≥ 320 N/mm². For hub types, and other materials, refer to page 3. For assembly and disassembly instructions refer to page 24.

† Clamping Elements with inch bores are also available to order.

Tel: +44 121 360 0155

Fax: +44 121 325 1079

Email: sales@crossmorse.com

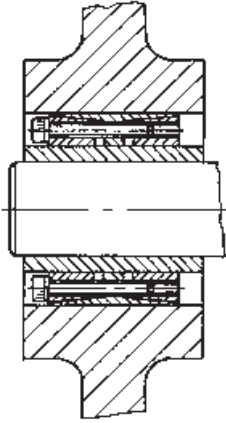
Clamping Elements Type RCK 10 to 12



These shaft clamping elements provide maximum torque transmission from a single unit, but, due to their large clamping surfaces clamping pressures are kept to reasonable levels. The design enables automatic centring between shaft and hub, and axial positioning of the hub does not change during clamping. Suitable for applications with high bending loads.

These units are offered in three series. A light duty series RCK 10, a normal duty series RCK 11, and a Heavy duty series RCK 12 for maximum torque applications.

For thin walled hubs, such as Conveyor Drums, the surface pressure on the hub can be reduced by reduction of the clamping torque applied to the Clamping Screws down to a minimum of 50%; the pressure on the outer hub and torque transmitted being reduced proportionally, so that wall thickness of 12% of the internal diameter can be used.



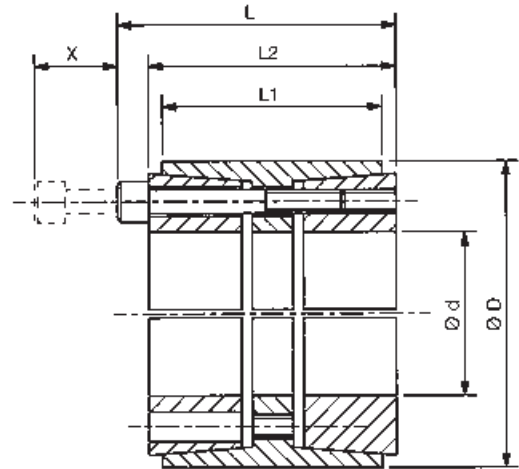
Recommended tolerances for full torque transmission both shaft and hub should be within the following tolerances:

Shaft h8
Hub H8

Clamping surfaces to be finished to $Rz \leq 15 \mu\text{m}$.

These units ideal for mounting of wheels and belt conveyor pulleys.

X = Distance required to remove screws, additional clearance for alan key may be required.



Dimensions

Part No.	Dimensions mm						Torque Cap. M Nm	Axial Force F kN	Surface Pressure		Clamping Screws		Extraction Screws Size	Approx Weight kg	Min. Hub Dia* mm		
	d	D	L	L ₁	L ₂	X			Shaft Ps N/mm ²	Hub Ph N/mm ²	Size	Torque Nm			Assy Type A	Assy Type B	Assy Type C
RCK 10-70x110	70	110	72	54	62	50	7270	208	245	125	M10	83	M10	2.2	166	152	140
RCK 10-75x115	75	115	72	54	62	50	7780	207	236	120	M10	83	M10	2.4	171	157	145
RCK 10-80x120	80	120	72	54	62	50	10350	259	268	143	M10	83	M10	2.5	194	174	158
RCK 10-85x125	85	125	72	54	62	50	11000	259	259	138	M10	83	M10	2.6	198	179	163
RCK 10-90x130	90	130	72	54	62	50	12800	284	265	146	M10	83	M10	2.8	213	191	172
RCK 10-95x135	95	135	72	54	62	50	13500	284	254	140	M10	83	M10	2.9	216	195	177
RCK 10-100x145	100	145	84	64	72	60	19400	388	279	148	M12	145	M12	4.1	239	214	193
RCK 10-110x155	110	155	84	64	72	60	21400	389	252	139	M12	145	M12	4.4	247	223	202
RCK 10-120x165	120	165	84	64	72	60	25600	427	255	144	M12	145	M12	4.8	268	241	218
RCK 10-130x180	130	180	94	74	82	70	35400	545	257	149	M12	145	M12	6.6	298	266	240
RCK 10-140x190	140	190	94	74	82	70	40800	583	255	151	M12	145	M12	7.0	317	283	254
RCK 10-150x200	150	200	94	74	82	70	43700	583	237	144	M12	145	M12	7.5	325	292	264
RCK 10-160x210	160	210	94	74	82	70	49800	623	237	145	M12	145	M12	7.9	342	307	278
RCK 10-170x225	170	225	107	74	93	75	67500	794	236	146	M14	230	M14	10.6	368	330	298
RCK 10-180x235	180	235	107	74	93	75	71500	794	225	140	M14	230	M14	11.1	376	339	307
RCK 10-190x250	190	250	119	95	105	80	80500	847	190	118	M14	230	M14	14.6	368	339	313
RCK 10-200x260	200	260	119	95	105	80	95000	950	201	128	M14	230	M14	15.3	397	362	332
RCK 10-220x285	220	285	127	100	111	90	119000	1082	204	124	M16	355	M16	19.3	429	393	361
RCK 10-240x305	240	305	127	100	111	90	173500	1446	245	154	M16	355	M16	20.9	515	458	411
RCK 10-260x325	260	325	127	100	111	90	197500	1519	238	152	M16	355	M16	22.6	545	485	436
RCK 10-280x355	280	355	131	100	111	90	236000	1686	263	166	M20	690	M20	28.4	631	552	490
RCK 10-300x375	300	375	131	100	111	90	270000	1800	263	168	M20	690	M20	30.3	672	587	520
RCK 10-320x405	320	405	156	122	136	110	360000	2250	244	154	M20	690	M20	45.3	684	608	545
RCK 10-340x425	340	425	156	122	136	110	382000	2247	230	147	M20	690	M20	48.0	698	625	564
RCK 10-360x455	360	455	177	140	155	120	501000	2783	231	142	M22	930	M22	65.3	733	659	598
RCK 10-380x475	380	475	177	140	155	120	529000	2784	220	135	M22	930	M22	68.7	745	675	615
RCK 10-400x495	400	495	177	140	155	120	613000	3065	233	143	M22	930	M22	72.1	801	720	652
RCK 10-420x515	420	515	177	140	155	120	702000	3343	245	150	M22	930	M22	75.4	856	764	688
RCK 10-440x535	440	535	177	140	155	120	735000	3341	235	144	M22	930	M22	78.8	869	780	706
RCK 10-460x555	460	555	177	140	155	120	769000	3343	227	139	M22	930	M22	82.2	884	798	725
RCK 10-480x575	480	575	177	140	155	120	835000	3479	228	140	M22	930	M22	85.6	919	829	752
RCK 10-500x595	500	595	177	140	155	120	870000	3480	220	135	M22	930	M22	89.1	933	845	771
RCK 10-520x615	520	615	177	140	155	120	1014000	3900	238	146	M22	930	M22	92.5	1006	902	814
RCK 10-540x635	540	635	182	145	160	120	1053000	3900	222	136	M22	930	M22	99.0	1000	905	824
RCK 10-560x655	560	655	182	145	160	120	1170000	4179	230	141	M22	930	M22	103	1051	947	859
RCK 10-580x675	580	675	182	145	160	120	1210000	4172	223	137	M22	930	M22	106	1067	965	878
RCK 10-600x695	600	695	182	145	160	120	1250000	4167	227	139	M22	930	M22	110	1107	999	907

*Minimum outside diameter of hubs manufactured in medium carbon steels with yield strength $\geq 320 \text{ N/mm}^2$.
For hub types, and other materials, refer to page 3.
For assembly and disassembly instructions refer to page 24.

Email: sales@crossmorse.com Fax: +44 121 325 1079 Tel: +44 121 360 0155

Clamping Elements Type RCK 11 and 12



Dimensions

Part No. †	Dimensions mm						Torque Cap. M Nm	Axial Force F kN	Surface Pressure		Clamping Screws		Extraction Screws Size	Approx Weight kg	Min. Hub Dia* mm		
	d	D	L	L ₁	L ₂	X			Shaft Ps N/mm ²	Hub Ph N/mm ²	Size	Torque Nm			Assy Type		
															Type A	Type B	Type C
RCK 11-25x55	25	55	46	32	40	35	784	63	291	99	M6	17	M6	0.47	76	71	66
RCK 11-28x55	28	55	46	32	40	35	882	63	259	99	M6	17	M6	0.43	76	71	66
RCK 11-30x55	30	55	46	32	40	35	931	62	243	99	M6	17	M6	0.41	76	71	66
RCK 11-35x60	35	60	60	44	54	45	1274	73	161	85	M6	17	M6	0.62	79	74	70
RCK 11-38x75	38	75	62	44	54	50	2696	142	289	113	M8	41	M8	1.1	108	100	93
RCK 11-40x75	40	75	62	44	54	50	2843	142	276	113	M8	41	M8	1.1	108	100	93
RCK 11-42x75	42	75	62	44	54	50	2981	142	262	113	M8	41	M8	1.0	108	100	93
RCK 11-45x75	45	75	62	44	54	50	3196	142	246	113	M8	41	M8	1.0	108	100	93
RCK 11-48x80	48	80	62	44	54	50	3873	161	203	96	M8	41	M8	1.1	109	102	96
RCK 11-50x80	50	80	72	56	64	50	4069	163	196	96	M8	41	M8	1.2	109	102	96
RCK 11-55x85	55	85	72	56	64	50	5050	184	201	101	M8	41	M8	1.3	118	110	103
RCK 11-60x90	60	90	72	56	64	50	6080	203	198	103	M8	41	M8	1.4	126	117	109
RCK 11-65x95	65	95	72	56	64	50	6619	204	183	98	M8	41	M8	1.5	130	122	114
RCK 11-70x110	70	110	88	70	78	60	11277	322	218	111	M10	83	M10	2.8	158	146	136
RCK 11-75x115	75	115	88	70	78	60	12062	322	218	111	M10	83	M10	3.0	165	153	142
RCK 11-80x120	80	120	88	70	78	60	14219	355	210	112	M10	83	M10	3.2	173	160	149
RCK 11-85x125	85	125	88	70	78	60	15102	355	210	112	M10	83	M10	3.3	180	167	155
RCK 11-90x130	90	130	88	70	78	60	17455	388	203	112	M10	83	M10	3.5	187	173	161
RCK 11-95x135	95	135	88	70	78	60	18338	386	203	112	M10	83	M10	3.7	195	180	167
RCK 11-100x145	100	145	112	90	100	80	25791	516	196	104	M12	145	M12	5.6	203	189	177
RCK 11-110x155	110	155	112	90	100	80	31184	567	194	107	M12	145	M12	6.1	219	204	190
RCK 11-120x165	120	165	112	90	100	80	39618	660	207	117	M12	145	M12	6.6	242	223	206
RCK 11-130x180	130	180	130	104	116	90	50503	777	188	109	M14	230	M14	9.3	257	238	221
RCK 11-140x190	140	190	130	104	116	90	63470	907	204	121	M14	230	M14	9.9	283	260	239
RCK 11-150x200	150	200	130	104	116	90	72790	971	204	124	M14	230	M14	10.6	301	276	253
RCK 11-160x210	160	210	130	104	116	90	82890	1036	204	125	M14	230	M14	11.2	317	290	267
RCK 11-170x225	170	225	164	134	148	110	106000	1247	178	110	M16	355	M16	16.8	322	298	277
RCK 11-180x235	180	235	164	134	148	110	120900	1343	180	112	M16	355	M16	17.7	339	313	291
RCK 11-190x250	190	250	164	134	148	110	131250	1382	182	113	M16	355	M16	20.6	362	334	310
RCK 11-200x260	200	260	164	134	148	110	143200	1432	173	110	M16	355	M16	21.6	372	345	321
RCK 11-220x285	220	285	164	134	148	110	177500	1614	184	112	M16	355	M16	25.8	411	380	353
RCK 11-240x305	240	305	164	134	148	110	210000	1750	175	110	M16	355	M16	27.9	436	404	376
RCK 11-260x325	260	325	164	134	148	110	228000	1754	172	110	M16	355	M16	30.1	465	431	401
RCK 11-280x355	280	355	197	165	177	130	310000	2214	166	105	M20	690	M20	45.3	499	464	433
RCK 11-300x375	300	375	197	165	177	130	375000	2500	172	110	M20	690	M20	48.3	537	497	462
RCK 11-320x405	320	405	197	165	177	130	420000	2625	166	105	M20	690	M20	59.0	569	530	494
RCK 11-340x425	340	425	197	165	177	130	465000	2735	163	104	M20	690	M20	62.4	595	555	518
RCK 11-360x455	360	455	224	190	202	150	588000	3267	158	100	M22	930	M22	85.1	629	587	550
RCK 11-380x475	380	475	224	190	202	150	650000	3421	158	101	M22	930	M22	89.5	659	615	575
RCK 11-400x495	400	495	224	190	202	150	720000	3600	162	105	M22	930	M22	93.9	696	648	604
RCK 11-420x515	420	515	224	190	202	150	750000	3571	155	101	M22	930	M22	98.3	714	667	624
RCK 11-440x535	440	535	224	190	202	150	790000	3591	146	96	M22	930	M22	103	729	683	642
RCK 11-460x555	460	555	224	190	202	150	830000	3609	142	94	M22	930	M22	107	751	705	663
RCK 11-480x575	480	575	224	190	202	150	1000000	4167	159	106	M22	930	M22	112	811	754	703
RCK 11-500x595	500	595	224	190	202	150	1050000	4200	152	102	M22	930	M22	116	828	772	722
RCK 11-520x615	520	615	224	190	202	150	1170000	4500	157	106	M22	930	M22	121	868	807	752
RCK 11-540x635	540	635	224	190	202	150	1200000	4444	151	103	M22	930	M22	125	887	826	772
RCK 11-560x655	560	655	224	190	202	150	1300000	4643	155	106	M22	930	M22	129	924	859	801
RCK 11-580x675	580	675	224	190	202	150	1390000	4793	150	103	M22	930	M22	134	942	878	821
RCK 11-600x695	600	695	224	190	202	150	1480000	4933	149	103	M22	930	M22	138	970	904	845
RCK 12-320x455	320	455	307	260	280	220	776000	4850	199	112	M27	1750	M27	159	656	607	563
RCK 12-340x475	340	475	307	260	280	220	920000	5412	209	120	M27	1750	M27	168	704	647	597
RCK 12-360x495	360	495	307	260	280	220	1070000	5944	217	126	M27	1750	M27	177	751	686	630
RCK 12-380x515	380	515	307	260	280	220	1130000	5947	206	121	M27	1750	M27	185	768	704	649
RCK 12-400x535	400	535	307	260	280	220	1190000	5950	195	117	M27	1750	M27	194	784	723	668
RCK 12-420x555	420	555	307	260	280	220	1360000	6476	202	123	M27	1750	M27	203	831	762	701
RCK 12-440x575	440	575	307	260	280	220	1430000	6500	194	119	M27	1750	M27	212	849	781	721
RCK 12-460x595	460	595	307	260	280	220	1490000	6478	185	114	M27	1750	M27	220	865	798	740
RCK 12-480x615	480	615	307	260	280	220	1820000	7583	207	130	M27	1750	M27	229	945	861	788
RCK 12-500x635	500	635	307	260	280	220	1890000	7560	199	125	M27	1750	M27	238	959	878	806
RCK 12-520x655	520	655	307	260	280	220	1970000	7577	191	122	M27	1750	M27	247	977	896	826
RCK 12-540x675	540	675	307	260	280	220	2190000	8111	197	126	M27	1750	M27	255	1024	936	859
RCK 12-560x695	560	695	307	260	280	220	2270000	8107	190	123	M27	1750	M27	264	1040	954	878

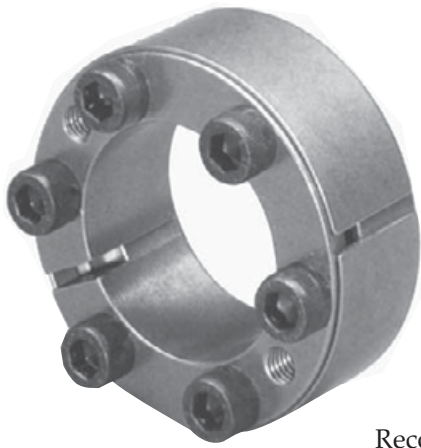
*Minimum outside diameter of hubs manufactured in medium carbon steels with yield strength ≥ 320 N/mm².
For hub types, and other materials, refer to page 3.
For assembly and disassembly instructions refer to page 24.

Tel: +44 121 360 0155

Fax: +44 121 325 1079

Email: sales@crossmorse.com

Clamping Elements Type RCK 45



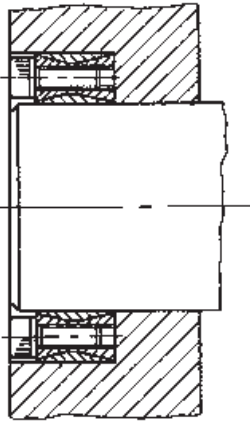
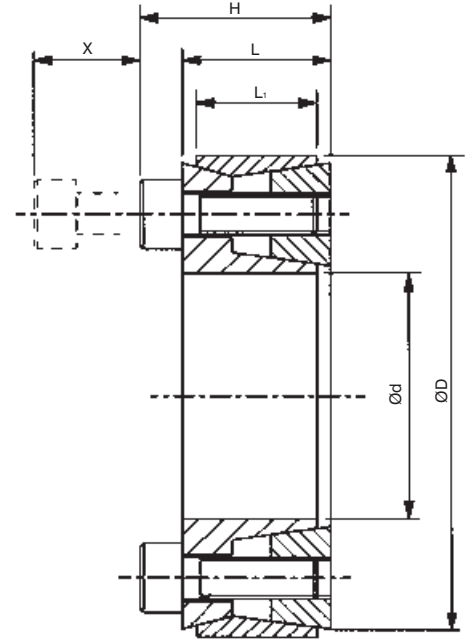
These clamping elements provide good torque transmission from a compact, low cost assembly. These units must always be installed inside the hub, and will then provide a reasonable level of concentricity. A small axial movement of the hub occurs during clamping.

Recommended tolerances for full torque transmission are:-

Shaft h8
Hub H8

Clamping surfaces to be finished to $Rz \leq 15 \mu\text{m}$.

X = Distance required to remove screws, additional clearance for alan key may be required.



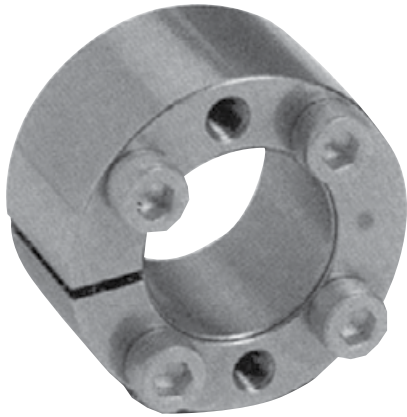
Dimensions

Part No. †	Dimensions mm						Torque Cap. M Nm	Axial Force F kN	Surface Pressure		Clamping Screws		Extraction Screws Size	Approx Weight kg	Min. Hub Dia* mm		
	d	D	L	L ₁	H	X			Shaft Ps N/mm ²	Hub Ph N/mm ²	Size	Torque Nm			Assy Type A	Assy Type B	Assy Type C
RCK45-16x32	16	32	17	11	22	12	80	10	260	120	M4	5	M4	0.15	47	44	40
RCK45-18x40	18	40	18	12	24	15	180	20	260	120	M6	16	M6	0.18	59	55	50
RCK45-19x41	19	41	18.5	12	24.5	15	210	22	260	120	M6	16	M8	0.20	61	56	52
RCK45-20x42	20	42	18.5	12	24.5	15	240	24	250	120	M6	16	M8	0.20	62	57	53
RCK45-24x46	24	46	18.5	12	24.5	15	290	24	250	120	M6	16	M8	0.23	68	63	58
RCK45-25x47	25	47	18.5	12	24.5	15	330	26	230	120	M6	16	M8	0.24	70	64	59
RCK45-28x50	28	50	18.5	12	24.5	15	370	26	220	120	M6	16	M8	0.24	74	68	63
RCK45-30x52	30	52	18.5	12	24.5	15	430	29	210	120	M6	16	M8	0.27	77	71	65
RCK45-35x57	35	57	22	15	28	15	610	35	170	100	M6	16	M8	0.28	79	74	69
RCK45-38x60	38	60	22	15	28	15	680	36	170	100	M6	16	M8	0.30	83	77	73
RCK45-40x62	40	62	22	15	28	15	780	39	170	100	M6	16	M8	0.31	86	80	75
RCK45-42x70	42	70	28	18	36	22	1480	70	190	110	M8	41	M10	0.50	100	93	86
RCK45-45x73	45	73	28	18	36	22	1500	67	210	130	M8	41	M10	0.53	112	102	94
RCK45-48x76	48	76	28	18	36	22	1550	65	210	130	M8	41	M10	0.59	117	106	97
RCK45-50x78	50	78	28	18	36	22	1650	66	190	120	M8	41	M10	0.62	116	106	98
RCK45-55x83	55	83	28	18	36	22	2000	73	190	120	M8	41	M10	0.64	123	113	104
RCK45-60x88	60	88	28	18	36	22	2350	78	190	120	M8	41	M10	0.69	131	120	111
RCK45-65x93	65	93	28	18	36	22	2400	74	157	110	M8	41	M10	0.74	133	123	115
RCK45-70x105	70	105	35	22	45	25	3900	111	180	120	M10	70	M12	1.25	156	143	132
RCK45-75x110	75	110	35	22	45	25	4400	117	176	120	M10	70	M12	1.32	163	150	138
RCK45-80x115	80	115	35	22	45	25	4800	120	170	120	M10	70	M12	1.40	171	157	145
RCK45-85x120	85	120	35	22	45	25	5500	129	176	125	M10	70	M12	1.48	181	166	152
RCK45-90x125	90	125	35	22	45	25	5800	129	167	120	M10	70	M12	1.57	185	170	157
RCK45-100x138	100	138	35	22	45	25	6500	130	152	110	M10	70	M12	1.67	197	183	170

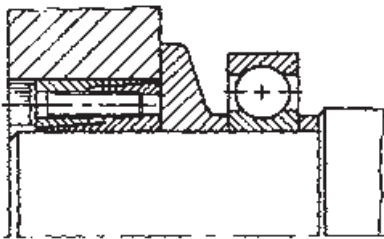
*Minimum outside diameter of hubs manufactured in medium carbon steels with yield strength $\geq 320 \text{ N/mm}^2$.
For hub types, and other materials, refer to page 3.
For assembly and disassembly instructions refer to page 24.

Email: sales@crossmorse.com Fax: +44 121 325 1079 Tel: +44 121 360 0155

Clamping Elements Type RCK 61



Available for shaft diameters from 10mm, these clamping elements are designed for small low torque applications, providing concentric connection of components to shafting. The thin wall design combined with low hub pressures enable use within small hub diameters. The design is intended that the units fit totally within the hub bore to provide safe surface. Some axial movement will occur when the units are clamped.

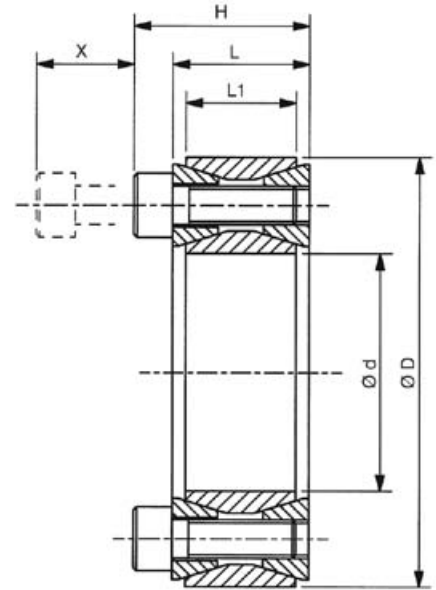


Recommended tolerances for full torque transmission are:-

Shaft h8
Hub H8

Clamping surfaces to be finished to $Rz \leq 15 \mu\text{m}$.

X = Distance required to remove screws, additional clearance for alan key may be required.



Dimensions

Part No.	Dimensions mm					Torque Cap. M Nm	Axial Force F kN	Surface Pressure		Clamping Screws		Approx Weight kg	Min. Hub Dia* mm		
	d	D	L	L ₁	X			Shaft Ps N/mm ²	Hub Ph N/mm ²	Size	Torque Nm		Assy Type A	Assy Type B	Assy Type C
RCK61-5x16	5	16	13.5	11	10	5	2.0	176	55	M2.5	1.2	0.05	19	18	18
RCK61-6x16	6	16	13.5	11	10	6	2.0	147	55	M2.5	1.2	0.05	19	18	18
RCK61-7x17	7	17	13.5	11	10	8	2.3	134	55	M2.5	1.2	0.06	20	20	19
RCK61-8x18	8	18	13.5	11	10	10	2.5	113	50	M2.5	1.2	0.07	21	20	20
RCK61-9x20	9	20	15.5	13	12	15	3.3	122	55	M2.5	1.2	0.09	24	23	22
RCK61-10x20	10	20	15.5	13	12	19	3.8	90	45	M2.5	1.2	0.08	23	22	22
RCK61-11x22	11	22	15.5	13	12	21	3.8	82	41	M2.5	1.2	0.09	25	24	24
RCK61-12x22	12	22	15.5	13	12	23	3.8	75	41	M2.5	1.2	0.09	25	24	24
RCK61-14x26	14	26	20	17	16	39	5.6	71	38	M3	2.1	0.12	29	29	28
RCK61-15x28	15	28	20	17	16	42	5.6	67	36	M3	2.1	0.13	31	31	30
RCK61-16x32	16	32	21	17	16	77	9.6	108	54	M4	4.9	0.15	38	37	35
RCK61-17x35	17	35	25	21	20	82	9.6	82	40	M4	4.9	0.21	40	39	38
RCK61-18x35	18	35	25	21	20	87	10	78	40	M4	4.9	0.20	40	39	38
RCK61-19x35	19	35	25	21	20	91	10	74	40	M4	4.9	0.19	40	39	38
RCK61-20x38	20	38	26	21	20	157	16	114	60	M5	9.7	0.21	46	44	43
RCK61-22x40	22	40	26	21	20	173	16	104	57	M5	9.7	0.22	48	46	45
RCK61-24x47	24	47	32	26	24	268	22	110	56	M6	17	0.31	56	54	52
RCK61-25x47	25	47	32	26	24	279	22	105	56	M6	17	0.30	56	54	52
RCK61-28x50	28	50	32	26	24	468	33	141	79	M6	17	0.33	64	61	58
RCK61-30x55	30	55	32	26	24	502	33	132	72	M6	17	0.40	69	66	63
RCK61-32x55	32	55	32	26	24	535	33	124	72	M6	17	0.38	69	66	63
RCK61-35x60	35	60	37	31	28	781	45	125	73	M6	17	0.54	76	72	69
RCK61-38x65	38	65	37	31	28	848	45	115	67	M6	17	0.63	80	77	74
RCK61-40x65	40	65	37	31	28	892	45	109	67	M6	17	0.59	80	77	74
RCK61-42x75	42	75	44	36	34	1272	61	121	68	M8	41	1.00	93	89	85
RCK61-45x75	45	75	44	36	34	1363	61	113	68	M8	41	0.95	93	89	85
RCK61-48x80	48	80	44	36	34	1938	81	142	85	M8	41	1.07	105	99	94
RCK61-50x80	50	80	44	36	34	2019	81	136	85	M8	41	1.02	105	99	94

*Minimum outside diameter of hubs manufactured in medium carbon steels with yield strength $\geq 320 \text{ N/mm}^2$.
For hub types, and other materials, refer to page 3.
For assembly and disassembly instructions refer to page 24.