

# Metric Series Timing Belts



## Standard High Torque Metric Timing Belt Drives

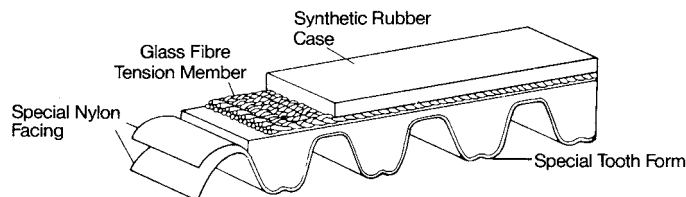
To provide optimum performance with a standard range of Metric High Torque Drive Pulleys, Cross & Morse selected RPP series belts.

The RPP belts are, combined with a standard range of pulley to provide "off the shelf" drives in 4 pitches; 3mm (3M) 5mm (5M), 8mm (8M), and 14mm (14M), able to transmit up to 700kW, or drive shafts to 15,000 r.p.m.

The pulleys are available with 2 methods of shaft connection; Pilot bored, pages 17-20, for finishing with sized bore, keyway and setscrews can, optionally be supplied finished; taper bored for fitting standard taper bushes page 25.

## Standard Metric Belts (pages 12)

The RPP series of belts provide the ideal solution for most drives. Totally interchangeable with other deep profile belts, they are available in 4 pitch sizes; 3mm (3M), 5mm (5M); 8mm (8M), and 14mm (14M). Standard drives are suitable for applications from fractional kW up to 250kW power rating. In order to transmit higher powers tooth contact between belt and pulley has to be increased. To achieve this a parabolic tooth form with contact angle increasing from tooth base to tip was adopted, enabling a deeper tooth form than classical belts. The improved level of meshing, combined with smoother engagement of drive, increased resistance to tooth shear and tooth jumping enabled higher torque transmission with reduced installation tension. Belts have an indentation at the top of the tooth to further improve meshing between belt and pulley by deformation of the tooth tip allowing precise moulding of tooth to pulley contours, reducing frictional wear. The indentation also allows air to escape, further reducing noise levels.



As with classical series belts, power is transmitted by a glass fibre tension member spirally wound across the width of the belt. The glass fibre cord ensures length stability combined with high strength and resistance to failure under repeated flexing. The tension member is bonded into a synthetic rubber body moulded integral with the drive teeth. The rubber compound selected has complete absence of age deformation and high resistance to mineral lubricating oils, heat, ozone and flex fatigue. A tough nylon fabric is bonded to the drive face of the belt, which by a patented treatment is self lubricating, for low coefficient of friction with exceptional resistance to abrasion and shear, for high drive efficiency with long belt and pulley life.

## High Power Metric Belts (page 13)

RPP Silver Belts provide increased torque and power capacity. Available 8mm (8S) and 14mm (14S) pitches, they operate on standard metric pulleys to transmit up to 470kW. Body of the belt is manufactured from reinforced polychloroprenic compound with exceptional resistance to flex fatigue, ozone, heat, and mineral oils. The teeth are faced with graphite impregnated nylon for high strength and low friction. A high module resistant fibre cord gives high breaking strength with reduced elasticity.

For even higher powered drives, up to 700kW, the Panther series belts, were developed in 8mm (8G) and 14mm (14G) pitches. These use Aramid reinforced polychloroprene for the body of the belt with double layer graphite impregnated nylon facing for the teeth. The tension cables are in Kevlar for maximum strength with flexibility. The belts provide all the advantages of RPP Silver with additional load capacity, excellent anti-static properties, and ability to use idlers on the back of the belt.

## Anti Static Belts

Belts conforming to BS2050 standards can be supplied for the 8M and 14M belt sizes. These belts are for application within chemical plants, oil refineries, and in mines.

The RPP Silver & RPP Gold high power belts have anti-static properties as standard.

## Double sided Belts (page 15)

To enable power to be taken from both sides of the belt to transfer direction of drive. Available in 5M and 14M tooth form to operate on standard Metric pulleys.

These belts have moulded teeth on both sides with nylon jacket, to enable full torque transmission. Ideal for Serpentine drives, and multi shaft arrangements.

## 'TIL' Long length Belts

Special manufacturing method enables extra long length endless belts to be manufactured.

Ideal for long centre distance drives where full torque transmission is required.

## Open Ended Metric Belts (pages 26-28)

Long length (up to 150 Metres) open ended belts are available in both standard neoprene rubber construction, and in Polyurethane with RPP tooth form. For increased Power capacity the "Green Belt" is available as an alternate/replacement, these being Polyurethane belts manufactured to tight tolerance with standard RPP tooth profile for maximum power transmission.

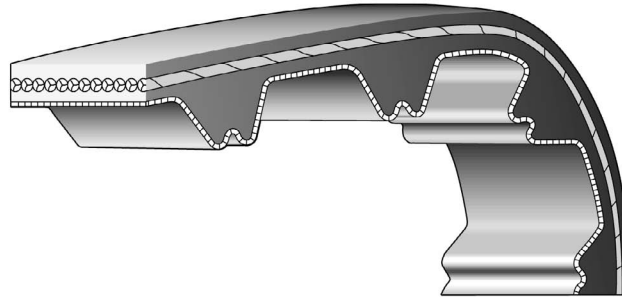
The teeth are faced with green nylon fabric giving reduced noise and friction. High strength steel tension member gives high breaking strengths with extremely low elongation. The belts are available in 5mm, 8mm, and 14mm pitch for linear drive applications, and are particularly suitable in drives with frequent speed change.

Tel +44 121 360 0155

Fax +44 121 325 1079

Email sales@crossmorse.com

# Metric Series Timing Belts



## 3mm Pitch Standard Metric Belts Type 3M

Belt Length mm	No. Teeth	6mm Wide Belt		9mm Wide Belt		15mm Wide Belt		Belt Length mm	No. Teeth	6mm Wide Belt		9mm Wide Belt		15mm Wide Belt		Belt Length mm	No. Teeth	6mm Wide Belt		9mm Wide Belt		15mm Wide Belt	
		Cat. No.	Wt gms	Cat. No.	Wt gms	Cat. No.	Wt gms			Cat. No.	Wt gms	Cat. No.	Wt gms	Cat. No.	Wt gms			Cat. No.	Wt gms	Cat. No.	Wt gms	Cat. No.	Wt gms
90	30	90-3M6	2	90-3M9	3	90-3M15	5	276	92	276-3M6	6	276-3M9	9	276-3M15	14	510	170	510-3M6	11	510-3M9	16	510-3M15	26
105	35	105-3M6	2	105-3M9	3	105-3M15	5	285	95	285-3M6	6	285-3M9	9	285-3M15	15	513	171	513-3M6	11	513-3M9	16	513-3M15	26
129	43	129-3M6	3	129-3M9	4	129-3M15	7	288	96	288-3M6	6	288-3M9	9	288-3M15	15	522	174	522-3M6	11	522-3M9	16	522-3M15	27
141	47	141-3M6	3	141-3M9	4	141-3M15	7	291	97	291-3M6	6	291-3M9	9	291-3M15	15	531	177	531-3M6	11	531-3M9	16	531-3M15	27
144	48	144-3M6	3	144-3M9	4	144-3M15	7	297	99	297-3M6	6	297-3M9	9	297-3M15	15	537	179	537-3M6	11	537-3M9	17	537-3M15	28
147	49	147-3M6	3	147-3M9	5	147-3M15	8	300	100	300-3M6	6	300-3M9	9	300-3M15	15	564	188	564-3M6	12	564-3M9	17	564-3M15	29
150	50	150-3M6	3	150-3M9	5	150-3M15	8	312	104	312-3M6	6	312-3M9	10	312-3M15	16	570	190	570-3M6	12	570-3M9	18	570-3M15	29
159	53	159-3M6	3	159-3M9	5	159-3M15	8	318	106	318-3M6	7	318-3M9	10	318-3M15	16	576	192	576-3M6	12	576-3M9	18	576-3M15	30
168	56	168-3M6	3	168-3M9	5	168-3M15	9	327	109	327-3M6	7	327-3M9	10	327-3M15	17	579	193	579-3M6	12	579-3M9	18	579-3M15	30
174	58	174-3M6	4	174-3M9	5	174-3M15	9	330	110	330-3M6	7	330-3M9	10	330-3M15	17	597	199	597-3M6	12	597-3M9	18	597-3M15	31
177	59	177-3M6	4	177-3M9	5	177-3M15	9	336	112	336-3M6	7	336-3M9	10	336-3M15	17	600	200	600-3M6	12	600-3M9	19	600-3M15	31
180	60	180-3M6	4	180-3M9	6	180-3M15	9	339	113	339-3M6	7	339-3M9	10	339-3M15	17	633	211	633-3M6	13	633-3M9	20	633-3M15	33
186	62	186-3M6	4	186-3M9	6	186-3M15	10	345	115	345-3M6	7	345-3M9	11	345-3M15	18	648	216	648-3M6	13	648-3M9	20	648-3M15	33
195	65	195-3M6	4	195-3M9	6	195-3M15	10	357	119	357-3M6	7	357-3M9	11	357-3M15	18	669	223	669-3M6	14	669-3M9	21	669-3M15	34
201	67	201-3M6	4	201-3M9	6	201-3M15	10	363	121	363-3M6	7	363-3M9	11	363-3M15	19	711	237	711-3M6	15	711-3M9	22	711-3M15	37
204	68	204-3M6	4	204-3M9	6	204-3M15	11	375	125	375-3M6	8	375-3M9	12	375-3M15	19	735	245	735-3M6	15	735-3M9	23	735-3M15	38
210	70	210-3M6	4	210-3M9	6	210-3M15	11	384	128	384-3M6	8	384-3M9	12	384-3M15	20	738	246	738-3M6	15	738-3M9	23	738-3M15	38
213	71	213-3M6	4	213-3M9	7	213-3M15	11	390	130	390-3M6	8	390-3M9	12	390-3M15	20	756	252	756-3M6	16	756-3M9	23	756-3M15	39
225	75	225-3M6	5	225-3M9	7	225-3M15	12	393	131	393-3M6	8	393-3M9	12	393-3M15	20	804	268	804-3M6	17	804-3M9	25	804-3M15	41
231	77	231-3M6	5	231-3M9	7	231-3M15	12	405	135	405-3M6	8	405-3M9	13	405-3M15	21	882	294	882-3M6	18	882-3M9	27	882-3M15	45
240	80	240-3M6	5	240-3M9	7	240-3M15	12	420	140	420-3M6	9	420-3M9	13	420-3M15	22	945	315	945-3M6	19	945-3M9	29	945-3M15	49
243	81	243-3M6	5	243-3M9	8	243-3M15	13	432	144	432-3M6	9	432-3M9	13	432-3M15	22	1062	354	1062-3M6	22	1062-3M9	33	1062-3M15	55
246	82	246-3M6	5	246-3M9	8	246-3M15	13	447	149	447-3M6	9	447-3M9	14	447-3M15	23	1125	375	1125-3M6	23	1125-3M9	35	1125-3M15	58
252	84	252-3M6	5	252-3M9	8	252-3M15	13	474	158	474-3M6	10	474-3M9	15	474-3M15	24	1245	415	1245-3M6	26	1245-3M9	38	1245-3M15	64
255	85	255-3M6	5	255-3M9	8	255-3M15	13	480	160	480-3M6	10	480-3M9	15	480-3M15	25	1263	421	1263-3M6	26	1263-3M9	39	1263-3M15	65
261	87	261-3M6	5	261-3M9	8	261-3M15	13	486	162	486-3M6	10	486-3M9	15	486-3M15	25	1500	500	1500-3M6	31	1500-3M9	46	1500-3M15	77
264	88	264-3M6	5	264-3M9	8	264-3M15	14	489	163	489-3M6	10	489-3M9	15	489-3M15	25	1530	510	1530-3M6	32	1530-3M9	47	1530-3M15	79
267	89	267-3M6	6	267-3M9	8	267-3M15	14	501	167	501-3M6	10	501-3M9	15	501-3M15	26	1863	621	1863-3M6	38	1863-3M9	58	1863-3M15	96
270	90	270-3M6	6	270-3M9	8	270-3M15	14																

## 5mm Pitch Standard Metric Belts Type 5M

Belt Length mm	No. Teeth	9mm Wide Belt		15mm Wide Belt		25mm Wide Belt		Belt Length mm	No. Teeth	9mm Wide Belt		15mm Wide Belt		25mm Wide Belt		Belt Length mm	No. Teeth	9mm Wide Belt		15mm Wide Belt		25mm Wide Belt	
		Cat. No.	Wt gms	Cat. No.	Wt gms	Cat. No.	Wt gms			Cat. No.	Wt gms	Cat. No.	Wt gms	Cat. No.	Wt gms			Cat. No.	Wt gms	Cat. No.	Wt gms	Cat. No.	Wt gms
180	36	180-5M9	8	180-5M15	13	180-5M25	21	535	107	535-5M9	22	535-5M15	37	535-5M25	63	950	190	950-5M9	40	950-5M15	67	950-5M25	111
225	45	225-5M9	9	225-5M15	16	225-5M25	26	565	113	565-5M9	24	565-5M15	40	565-5M25	66	980	196	980-5M9	41	980-5M15	69	980-5M25	115
235	47	235-5M9	10	235-5M15	16	235-5M25	27	575	115	575-5M9	24	575-5M15	40	575-5M25	67	1000	200	1000-5M9	42	1000-5M15	70	1000-5M25	117
245	49	245-5M9	10	245-5M15	17	245-5M25	29	580	116	580-5M9	24	580-5M15	41	580-5M25	68	1025	205	1025-5M9	43	1025-5M15	72	1025-5M25	120
255	51	255-5M9	11	255-5M15	18	255-5M25	30	600	120	600-5M9	25	600-5M15	42	600-5M25	70	1050	210	1050-5M9	44	1050-5M15	74	1050-5M25	123
265	53	265-5M9	11	265-5M15	19	265-5M25	31	610	122	610-5M9	26	610-5M15	43	610-5M25	71	1100	220	1100-5M9	46	1100-5M15	77	1100-5M25	129
270	54	270-5M9	11	270-5M15	19	270-5M25	32	615	123	615-5M9	26	615-5M15	43	615-5M25	72	1125	225	1125-5M9	47	1125-5M15	79	1125-5M25	132
285	57	285-5M9	12	285-5M15	20	285-5M25	33	635	127	635-5M9	27	635-5M15	44	635-5M25	74	1135	227	1135-5M9	48	1135-5M15	79	1135-5M25	133
295	59	295-5M9	12	295-5M15	21	295-5M25	35	640	128	640-5M9	27	640-5M15	45	640-5M25	75	1195	239	1195-5M9	50	1195-5M15	84	1195-5M25	140
300	60	300-5M9	13	300-5M15	21	300-5M25	35	670	134	670-5M9	28	670-5M15	47	670-5M25	78	1200	240	1200-5M9	50	1200-5M15	84	1200-5M25	140
305	61	305-5M9	13	305-5M15	21	305-5M25	36	675	135	675-5M9	28	675-5M15	47	675-5M25	79	1240	248	1240-5M9	52	1240-5M15	87	1240-5M25	145
325	65	325-5M9	14	325-5M15	23	325-5M25	38	700	140	700-5M9	29	700-5M15	49	700-5M25	82	1270	254	1270-5M9	53	1270-5M15	89	1270-5M25	149
345	69	345-5M9	14	345-5M15	24	345-5M25	40	705	141	705-5M9	30	705-5M15	49	705-5M25	82	1420	284	1420-5M9	60	1420-5M15	99	1420-5M25	166
350	70	350-5M9	15	350-5M15	25	350-5M25	41	710	142	710-5M9	30	710-5M15	50	710-5M25	83	1595	319	1595-5M9	67	1595-5M15	112	1595-5M25	187
375	75	375-5M9	16	375-5M15	26	375-5M25	44	725	145	725-5M9	30	725-5M15	51	725-5M25	85	1690	338	1690-5M9	41	1690-5M15	118	1690-5M25	198
400	80	400-5M9	17	400-5M15	28	400-5M25	47	740	148	740-5M9	31	740-5M15	52	740-5M25	87	1790	358	1790-5M9	75	1790-5M15	125	1790-5M25	209
420	84	420-5M9	18	420-5M15	29	420-5M25	49	750	150	750-5M9	31	750-5M15	52	750-5M25	87	1800	360	1800-5M9	76	1800-5M15	126	1800-5M25	211
425	85	425-5M9	18	425-5M15	30	425-5M25	50	755	151	755-5M9	32	755-5M15	53	755-5M25	88	1870	374	1870-5M9	79	1870-5M15	131	1870-5M25	219
450	90	450-5M9	19	450-5M15	32	450-5M25	53	800	160	800-5M9	34	800-5M15	56	800-5M25	94	1895	379	1895-5M9	80	1895-5M15	133	1895-5M25	222
455	91	455-5M9	19	455-5M15	32	455-5M25	53	835	167	835-5M9	35	835-5M15	58	835-5M25	98	1945	389	1945-5M9	82	1945-5M15	136	1945-5M25	228
460	92	460-5M9	19	460-5M15	32	460-5M25	54	850	170	850-5M9	36	850-5M15	60	850-5M25									

## 8mm Pitch Standard Metric Belts Type 8M

Belt Length mm	No. Teeth	20mm Wide Belt		30mm Wide Belt		50mm Wide Belt		85mm Wide Belt	
		Cat. No.	Wt kg	Cat. No.	Wt kg	Cat. No.	Wt kg	Cat. No.	Wt kg
288	36	288-8M20	0.033	288-8M30	0.049	288-8M50	0.081	288-8M85	0.138
320	40	320-8M20	0.036	320-8M30	0.054	320-8M50	0.090	320-8M85	0.154
352	44	352-8M20	0.040	352-8M30	0.060	352-8M50	0.099	352-8M85	0.169
360	45	360-8M20	0.041	360-8M30	0.061	360-8M50	0.102	360-8M85	0.173
384	48	384-8M20	0.043	384-8M30	0.065	384-8M50	0.108	384-8M85	0.184
408	51	408-8M20	0.046	408-8M30	0.069	408-8M50	0.115	408-8M85	0.196
456	57	456-8M20	0.052	456-8M30	0.077	456-8M50	0.129	456-8M85	0.219
480	60	480-8M20	0.054	480-8M30	0.081	480-8M50	0.136	480-8M85	0.231
536	67	536-8M20	0.061	536-8M30	0.091	536-8M50	0.151	536-8M85	0.257
544	68	544-8M20	0.061	544-8M30	0.092	544-8M50	0.154	544-8M85	0.261
560	70	560-8M20	0.063	560-8M30	0.095	560-8M50	0.158	560-8M85	0.269
600	75	600-8M20	0.068	600-8M30	0.102	600-8M50	0.170	600-8M85	0.288
608	76	608-8M20	0.069	608-8M30	0.103	608-8M50	0.172	608-8M85	0.292
632	79	632-8M20	0.071	632-8M30	0.107	632-8M50	0.179	632-8M85	0.304
640	80	640-8M20	0.072	640-8M30	0.108	640-8M50	0.181	640-8M85	0.307
680	85	680-8M20	0.077	680-8M30	0.115	680-8M50	0.192	680-8M85	0.327
720	90	720-8M20	0.081	720-8M30	0.122	720-8M50	0.203	720-8M85	0.346
800	100	800-8M20	0.090	800-8M30	0.136	800-8M50	0.226	800-8M85	0.384
840	105	840-8M20	0.095	840-8M30	0.142	840-8M50	0.237	840-8M85	0.403
880	110	880-8M20	0.099	880-8M30	0.149	880-8M50	0.249	880-8M85	0.423
896	112	896-8M20	0.101	896-8M30	0.152	896-8M50	0.253	896-8M85	0.430
920	115	920-8M20	0.104	920-8M30	0.156	920-8M50	0.260	920-8M85	0.442
960	120	960-8M20	0.108	960-8M30	0.163	960-8M50	0.271	960-8M85	0.461

Belt Length mm	No. Teeth	20mm Wide Belt		30mm Wide Belt		50mm Wide Belt		85mm Wide Belt	
		Cat. No.	Wt kg	Cat. No.	Wt kg	Cat. No.	Wt kg	Cat. No.	Wt kg
1000	125	1000-8M20	0.113	1000-8M30	0.170	1000-8M50	0.283	1000-8M85	0.480
1040	130	1040-8M20	0.118	1040-8M30	0.176	1040-8M50	0.294	1040-8M85	0.499
1080	135	1080-8M20	0.122	1080-8M30	0.183	1080-8M50	0.305	1080-8M85	0.519
1120	140	1120-8M20	0.127	1120-8M30	0.190	1120-8M50	0.316	1120-8M85	0.538
1200	150	1200-8M20	0.136	1200-8M30	0.203	1200-8M50	0.339	1200-8M85	0.576
1224	153	1224-8M20	0.138	1224-8M30	0.207	1224-8M50	0.346	1224-8M85	0.588
1280	160	1280-8M20	0.145	1280-8M30	0.217	1280-8M50	0.362	1280-8M85	0.615
1352	169	1352-8M20	0.153	1352-8M30	0.229	1352-8M50	0.382	1352-8M85	0.649
1440	180	1440-8M20	0.163	1440-8M30	0.244	1440-8M50	0.407	1440-8M85	0.692
1464	183	1464-8M20	0.165	1464-8M30	0.248	1464-8M50	0.414	1464-8M85	0.703
1600	200	1600-8M20	0.181	1600-8M30	0.271	1600-8M50	0.452	1600-8M85	0.768
1760	220	1760-8M20	0.199	1760-8M30	0.296	1760-8M50	0.497	1760-8M85	0.845
1800	225	1800-8M20	0.203	1800-8M30	0.305	1800-8M50	0.509	1800-8M85	0.864
2000	250	2000-8M20	0.226	2000-8M30	0.339	2000-8M50	0.565	2000-8M85	0.961
2200	275	2200-8M20	0.249	2200-8M30	0.373	2200-8M50	0.622	2200-8M85	1.057
2400	300	2400-8M20	0.271	2400-8M30	0.407	2400-8M50	0.678	2400-8M85	1.153
2520	315	2520-8M20	0.285	2520-8M30	0.427	2520-8M50	0.712	2520-8M85	1.210
2600	325	2600-8M20	0.294	2600-8M30	0.441	2600-8M50	0.735	2600-8M85	1.249
2800	350	2800-8M20	0.316	2800-8M30	0.475	2800-8M50	0.791	2800-8M85	1.345
3048	381	3048-8M20	0.344	3048-8M30	0.517	3048-8M50	0.861	3048-8M85	1.464
3280	410	3280-8M20	0.371	3280-8M30	0.556	3280-8M50	0.927	3280-8M85	1.575
3600	450	3600-8M20	0.407	3600-8M30	0.610	3600-8M50	1.017	3600-8M85	1.729
4400	550	4400-8M20	0.497	4400-8M30	0.746	4400-8M50	1.243	4400-8M85	2.113

## High Power RPP Silver and RPP Gold Belts

The improved design RPP Silver and RPP Gold Belts can transmit higher torques whilst still operating on standard HTD pulleys. Replacing a standard metric belt with the equivalent RPP belt can enable up to 100% more torque transmission, whilst the equivalent RPP Gold belt provides up to 200% more.



## 8mm Pitch RPP Silver High Power Belts Type 8S

Belt Length mm	No. Teeth	20mm Wide Belt		30mm Wide Belt		50mm Wide Belt		85mm Wide Belt	
		Cat. No.	Wt kg	Cat. No.	Wt kg	Cat. No.	Wt kg	Cat. No.	Wt kg
288	36	288-8S20	0.033	288-8S30	0.049	288-8S50	0.081	288-8S85	0.136
320	40	320-8S20	0.036	320-8S30	0.054	320-8S50	0.090	320-8S85	0.154
352	44	352-8S20	0.040	352-8S30	0.060	352-8S50	0.099	352-8S85	0.169
360	45	360-8S20	0.041	360-8S30	0.061	360-8S50	0.102	360-8S85	0.173
384	48	384-8S20	0.043	384-8S30	0.065	384-8S50	0.108	384-8S85	0.184
408	51	408-8S20	0.046	408-8S30	0.069	408-8S50	0.115	408-8S85	0.196
456	57	456-8S20	0.052	456-8S30	0.077	456-8S50	0.129	456-8S85	0.219
480	60	480-8S20	0.054	480-8S30	0.081	480-8S50	0.136	480-8S85	0.231
536	67	536-8S20	0.061	536-8S30	0.091	536-8S50	0.151	536-8S85	0.257
544	68	544-8S20	0.061	544-8S30	0.092	544-8S50	0.154	544-8S85	0.261
560	70	560-8S20	0.063	560-8S30	0.095	560-8S50	0.158	560-8S85	0.269
600	75	600-8S20	0.068	600-8S30	0.102	600-8S50	0.170	600-8S85	0.288
608	76	608-8S20	0.069	608-8S30	0.103	608-8S50	0.172	608-8S85	0.292
632	79	632-8S20	0.071	632-8S30	0.107	632-8S50	0.179	632-8S85	0.304
640	80	640-8S20	0.072	640-8S30	0.108	640-8S50	0.181	640-8S85	0.307
680	85	680-8S20	0.077	680-8S30	0.115	680-8S50	0.192	680-8S85	0.327
720	90	720-8S20	0.081	720-8S30	0.122	720-8S50	0.203	720-8S85	0.346
800	100	800-8S20	0.090	800-8S30	0.136	800-8S50	0.226	800-8S85	0.384
840	105	840-8S20	0.095	840-8S30	0.142	840-8S50	0.237	840-8S85	0.403
880	110	880-8S20	0.099	880-8S30	0.149	880-8S50	0.249	880-8S85	0.423
896	112	896-8S20	0.101	896-8S30	0.152	896-8S50	0.253	896-8S85	0.430
920	115	920-8S20	0.104	920-8S30	0.156	920-8S50	0.260	920-8S85	0.442
960	120	960-8S20	0.108	960-8S30	0.163	960-8S50	0.271	960-8S85	0.461

Belt Length mm	No. Teeth	20mm Wide Belt		30mm Wide Belt		50mm Wide Belt		85mm Wide Belt	
		Cat. No.	Wt kg	Cat. No.	Wt kg	Cat. No.	Wt kg	Cat. No.	Wt kg
1000	125	1000-8S20	0.113	1000-8S30	0.170	1000-8S50	0.283	1000-8S85	0.480
1040	130	1040-8S20	0.118	1040-8S30	0.176	1040-8S50	0.294	1040-8S85	0.499
1080	135	1080-8S20	0.122	1080-8S30	0.183	1080-8S50	0.305	1080-8S85	0.519
1120	140	1120-8S20	0.127	1120-8S30	0.190	1120-8S50	0.316	1120-8S85	0.538
1200	150	1200-8S20	0.136	1200-8S30	0.203	1200-8S50	0.339	1200-8S85	0.576
1224	153	1224-8S20	0.138	1224-8S30	0.207	1224-8S50	0.346	1224-8S85	0.588
1280	160	1280-8S20	0.145	1280-8S30	0.217	1280-8S50	0.362	1280-8S85	0.615
1352	169	1352-8S20	0.153	1352-8S30	0.229	1352-8S50	0.382	1352-8S85	0.649
1440	180	1440-8S20	0.163	1440-8S30	0.244	1440-8S50	0.407	1440-8S85	0.692
1464	183	1464-8S20	0.165	1464-8S30	0.248	1464-8S50	0.414	1464-8S85	0.703
1600	200	1600-8S20	0.181	1600-8S30	0.271	1600-8S50	0.452	1600-8S85	0.768
1760	220	1760-8S20	0.199	1760-8S30	0.296	1760-8S50	0.497	1760-8S85	0.845
1800	225	1800-8S20	0.203	1800-8S30	0.305	1800-8S50	0.509	1800-8S85	0.864
2000	250	2000-8S20	0.226	2000-8S30	0.339	2000-8S50	0.565	2000-8S85	0.961
2200	275	2200-8S20	0.249	2200-8S30	0.373	2200-8S50	0.622	2200-8S85	1.057
2400	300	2400-8S20	0.271	2400-8S30	0.407	2400-8S50	0.678	2400-8S85	1.153
2520	315	2520-8S20	0.285	2520-8S30	0.427	2520-8S50	0.712	2520-8S85	1.210
2600	325	2600-8S20	0.294	2600-8S30	0.441	2600-8S50	0.735	2600-8S85	1.249
2800	350	2800-8S20	0.316	2800-8S30	0.475	2800-8S50	0.791	2800-8S85	1.345
3048	381	3048-8S20	0.344	3048-8S30	0.517	3048-8S50	0.861	3048-8S85	1.464
3280	410	3280-8S20	0.371	3280-8S30	0.556	3280-8S50	0.927	3280-8S85	1.575
3600	450	3600-8S20	0.407	3600-8S30	0.610	3600-8S50	1.017	3600-8S85	1.729
4400	550	4400-8S20	0.497	4400-8S30	0.746	4400-8S50	1.243	4400-8S85	2.113

## 8mm Pitch Gold High Power Belts Type 8G

Belt Length mm	No. Teeth	20mm Wide Belt		30mm Wide Belt		50mm Wide Belt		85mm Wide Belt	
		Cat. No.	Wt kg	Cat. No.	Wt kg	Cat. No.	Wt kg	Cat. No.	Wt kg
288	36	288-8G20	0.033	288-8G30	0.049	288-8G50	0.081	288-8G85	0.138
320	40	320-8G20	0.036	320-8G30	0.054	320-8G50	0.090	320-8G8	



## 14mm Pitch Standard Metric Belts Type 14M

Belt Length mm	No. Teeth	40mm Wide Belt		55mm Wide Belt		85mm Wide Belt		115mm Wide Belt		170mm Wide Belt	
		Cat. No.	Wt kg	Cat. No.	Wt kg	Cat. No.	Wt kg	Cat. No.	Wt kg	Cat. No.	Wt kg
966	69	966-14M40	0.38	966-14M55	0.52	966-14M85	0.81	966-14M115	1.09	966-14M170	1.62
994	71	994-14M40	0.39	994-14M55	0.54	994-14M85	0.83	994-14M115	1.13	994-14M170	1.66
1092	78	1092-14M40	0.43	1092-14M55	0.59	1092-14M85	0.91	1092-14M115	1.24	1092-14M170	1.83
1106	79	1106-14M40	0.44	1106-14M55	0.60	1106-14M85	0.93	1106-14M115	1.25	1106-14M170	1.85
1190	85	1190-14M40	0.47	1190-14M55	0.64	1190-14M85	1.00	1190-14M115	1.35	1190-14M170	1.99
1260	90	1260-14M40	0.50	1260-14M55	0.68	1260-14M85	1.05	1260-14M115	1.43	1260-14M170	2.11
1288	92	1288-14M40	0.51	1288-14M55	0.70	1288-14M85	1.08	1288-14M115	1.46	1288-14M170	2.16
1344	96	1344-14M40	0.53	1344-14M55	0.73	1344-14M85	1.13	1344-14M115	1.52	1344-14M170	2.25
1400	100	1400-14M40	0.55	1400-14M55	0.76	1400-14M85	1.17	1400-14M115	1.59	1400-14M170	2.34
1442	103	1442-14M40	0.57	1442-14M55	0.78	1442-14M85	1.21	1442-14M115	1.63	1442-14M170	2.41
1568	112	1568-14M40	0.62	1568-14M55	0.85	1568-14M85	1.31	1568-14M115	1.78	1568-14M170	2.63
1610	115	1610-14M40	0.63	1610-14M55	0.87	1610-14M85	1.35	1610-14M115	1.82	1610-14M170	2.70
1764	126	1764-14M40	0.70	1764-14M55	0.96	1764-14M85	1.48	1764-14M115	2.00	1764-14M170	2.95
1778	127	1778-14M40	0.70	1778-14M55	0.96	1778-14M85	1.49	1778-14M115	2.01	1778-14M170	2.98
1848	132	1848-14M40	0.73	1848-14M55	1.00	1848-14M85	1.55	1848-14M115	2.14	1848-14M170	3.09
1890	135	1890-14M40	0.74	1890-14M55	1.02	1890-14M85	1.58	1890-14M115	2.19	1890-14M170	3.16
1904	136	1904-14M40	0.75	1904-14M55	1.03	1904-14M85	1.59	1904-14M115	2.21	1904-14M170	3.19
1960	140	1960-14M40	0.77	1960-14M55	1.06	1960-14M85	1.64	1960-14M115	2.22	1960-14M170	3.28
2100	150	2100-14M40	0.83	2100-14M55	1.14	2100-14M85	1.76	2100-14M115	2.38	2100-14M170	3.52
2240	160	2240-14M40	0.88	2240-14M55	1.21	2240-14M85	1.88	2240-14M115	2.54	2240-14M170	3.75
2310	165	2310-14M40	0.91	2310-14M55	1.25	2310-14M85	1.93	2310-14M115	2.62	2310-14M170	3.87
2380	170	2380-14M40	0.94	2380-14M55	1.29	2380-14M85	1.99	2380-14M115	2.70	2380-14M170	3.99
2450	175	2450-14M40	0.97	2450-14M55	1.33	2450-14M85	2.05	2450-14M115	2.78	2450-14M170	4.10
2590	185	2590-14M40	1.02	2590-14M55	1.40	2590-14M85	2.17	2590-14M115	2.93	2590-14M170	4.34
2660	190	2660-14M40	1.05	2660-14M55	1.44	2660-14M85	2.23	2660-14M115	3.01	2660-14M170	4.45
2800	200	2800-14M40	1.10	2800-14M55	1.52	2800-14M85	2.34	2800-14M115	3.17	2800-14M170	4.69
3150	225	3150-14M40	1.24	3150-14M55	1.71	3150-14M85	2.64	3150-14M115	3.57	3150-14M170	5.27
3360	240	3360-14M40	1.32	3360-14M55	1.82	3360-14M85	2.81	3360-14M115	3.81	3360-14M170	5.63
3500	250	3500-14M40	1.38	3500-14M55	1.90	3500-14M85	2.93	3500-14M115	3.96	3500-14M170	5.86
3850	275	3850-14M40	1.52	3850-14M55	2.09	3850-14M85	3.22	3850-14M115	4.36	3850-14M170	6.45
3920	280	3920-14M40	1.54	3920-14M55	2.12	3920-14M85	3.28	3920-14M115	4.44	3920-14M170	6.56
4326	309	4326-14M40	1.70	4326-14M55	2.34	4326-14M85	3.62	4326-14M115	4.90	4326-14M170	7.24
4578	327	4578-14M40	1.80	4578-14M55	2.48	4578-14M85	3.83	4578-14M115	5.19	4578-14M170	7.67
4956	354	4956-14M40	1.95	4956-14M55	2.68	4956-14M85	4.15	4956-14M115	5.61	4956-14M170	8.30

## 14mm Pitch RPP Silver High Power Belts Type 14S

Belt Length mm	No. Teeth	40mm Wide Belt		55mm Wide Belt		85mm Wide Belt		115mm Wide Belt		170mm Wide Belt	
		Cat. No.	Wt kg	Cat. No.	Wt kg	Cat. No.	Wt kg	Cat. No.	Wt kg	Cat. No.	Wt kg
966	69	966-14S40	0.38	966-14S55	0.52	966-14S85	0.81	966-14S115	1.09	966-14S170	1.62
994	71	994-14S40	0.39	994-14S55	0.54	994-14S85	0.83	994-14S115	1.13	994-14S170	1.66
1092	78	1092-14S40	0.43	1092-14S55	0.59	1092-14S85	0.91	1092-14S115	1.24	1092-14S170	1.83
1106	79	1106-14S40	0.44	1106-14S55	0.60	1106-14S85	0.93	1106-14S115	1.25	1106-14S170	1.85
1190	85	1190-14S40	0.47	1190-14S55	0.64	1190-14S85	1.00	1190-14S115	1.35	1190-14S170	1.99
1260	90	1260-14S40	0.50	1260-14S55	0.68	1260-14S85	1.05	1260-14S115	1.43	1260-14S170	2.11
1288	92	1288-14S40	0.51	1288-14S55	0.70	1288-14S85	1.08	1288-14S115	1.46	1288-14S170	2.16
1344	96	1344-14S40	0.53	1344-14S55	0.73	1344-14S85	1.13	1344-14S115	1.52	1344-14S170	2.25
1400	100	1400-14S40	0.55	1400-14S55	0.76	1400-14S85	1.17	1400-14S115	1.59	1400-14S170	2.34
1442	103	1442-14S40	0.57	1442-14S55	0.78	1442-14S85	1.21	1442-14S115	1.63	1442-14S170	2.41
1568	112	1568-14S40	0.62	1568-14S55	0.85	1568-14S85	1.31	1568-14S115	1.78	1568-14S170	2.63
1610	115	1610-14S40	0.63	1610-14S55	0.87	1610-14S85	1.35	1610-14S115	1.82	1610-14S170	2.70
1764	126	1764-14S40	0.70	1764-14S55	0.96	1764-14S85	1.48	1764-14S115	2.00	1764-14S170	2.95
1778	127	1778-14S40	0.70	1778-14S55	0.96	1778-14S85	1.49	1778-14S115	2.01	1778-14S170	2.98
1848	132	1848-14S40	0.73	1848-14S55	1.00	1848-14S85	1.55	1848-14S115	2.09	1848-14S170	3.09
1890	135	1890-14S40	0.74	1890-14S55	1.02	1890-14S85	1.58	1890-14S115	2.14	1890-14S170	3.16
1904	136	1904-14S40	0.75	1904-14S55	1.03	1904-14S85	1.59	1904-14S115	2.16	1904-14S170	3.19
1960	140	1960-14S40	0.77	1960-14S55	1.06	1960-14S85	1.64	1960-14S115	2.22	1960-14S170	3.28
2100	150	2100-14S40	0.83	2100-14S55	1.14	2100-14S85	1.76	2100-14S115	2.38	2100-14S170	3.52
2240	160	2240-14S40	0.88	2240-14S55	1.21	2240-14S85	1.88	2240-14S115	2.54	2240-14S170	3.75
2310	165	2310-14S40	0.91	2310-14S55	1.25	2310-14S85	1.93	2310-14S115	2.62	2310-14S170	3.87
2380	170	2380-14S40	0.94	2380-14S55	1.29	2380-14S85	1.99	2380-14S115	2.70	2380-14S170	3.99
2450	175	2450-14S40	0.97	2450-14S55	1.33	2450-14S85	2.05	2450-14S115	2.78	2450-14S170	4.10
2590	185	2590-14S40	1.02	2590-14S55	1.40	2590-14S85	2.17	2590-14S115	2.93	2590-14S170	4.34
2660	190	2660-14S40	1.05	2660-14S55	1.44	2660-14S85	2.23	2660-14S115	3.01	2660-14S170	4.45
2800	200	2800-14S40	1.10	2800-14S55	1.52	2800-14S85	2.34	2800-14S115	3.17	2800-14S170	4.69
3150	225	3150-14S40	1.24	3150-14S55	1.71	3150-14S85	2.64	3150-14S115	3.57	3150-14S170	5.27
3360	240	3360-14S40	1.32	3360-14S55	1.82	3360-14S85	2.81	3360-14S115	3.81	3360-14S170	5.63
3500	250	3500-14S40	1.38	3500-14S55	1.90	3500-14S85	2.93	3500-14S115	3.96	3500-14S170	5.86
3850	275	3850-14S40	1.52	3850-14S55	2.09	3850-14S85	3.22	3850-14S115	4.36	3850-14S170	6.45
3920	280	3920-14S40	1.54	3920-14S55	2.12	3920-14S85	3.28	3920-14S115	4.44	3920-14S170	6.56
4326	309	4326-14S40	1.70	4326-14S55	2.34	4326-14S85	3.62	4326-14S115	4.90	4326-14S170	7.24
4578	327	4578-14S40	1.80	4578-14S55	2.48	4578-14S85	3.83	4578-14S115	5.19	4578-14S170	7.67
4956	354	4956-14S40	1.95	4956-14S55	2.68	4956-14S85	4.15	4956-14S115	5.61	4956-14S170	8.30

## 14mm Pitch Gold High Power Belts Type 14G

Belt Length mm	No. Teeth	40mm Wide Belt		55mm Wide Belt		85mm Wide Belt		115mm Wide Belt		170mm Wide Belt	
		Cat. No.	Wt kg	Cat. No.	Wt kg	Cat. No.	Wt kg	Cat. No.	Wt kg	Cat. No.	Wt kg
966	69	966-14G40	0.38	966-14G55	0.52	966-14G85	0.81	966-14G115	1.09	966-14G170	1.62
994	71	994-14G40	0.39	994-14G55	0.54	994-14G85	0.83	994-14G115	1.13	994-14G170	1.66
1092	78	1092-14G40	0.43	1092-14G55	0.59	1092-14G85	0.91	1092-14G115	1.24	1092-14G170	1.83
1106	79	1106-14G40	0.44	1106-14G55	0.60	1106-14G85	0.93	1106-14G115	1.25	1106-14G170	1.85
1190	85	1190-14G40	0.47	1190-14G55	0.64	1190-14G85	1.00	1190-14G115	1.35	1190-14G170	1.99
1260	90	1260-14G40	0.50	1260-14G55	0.68	1260-14G85	1.05	1260-14G115	1.43	1260-14G170	2.11
1288	92	1288-14G40	0.51	1288-14G55	0.70	1288-14G85	1.08	1288-14G115	1.46	1288-14G170	2.16
1344	96	1344-14G40	0.53	1344-14G55	0.73	1344-14G85	1.13	1344-14G115	1.52	1344-14G170	2.25
1400	100	1400-14G40	0.55	1400-14G55	0.76	1400-14G85	1.17	1400-14G115	1.59	1400-14G170	2.34
1442	103	1442-14G40	0.57	1442-14G55	0.78	1442-14G85	1.21	1442-14G115	1.63	1442-14G170	2.41
1568	112	1568-14G40	0.62	1568-14G55	0.85	1568-14G85	1.31	1568-14G115	1.78	1568-14G170	2.63
1610	115	1610-14G40	0.63	1610-14G55	0.87	1610-14G85	1.35	1610-14G115			

# Metric Series Timing Belt Drives



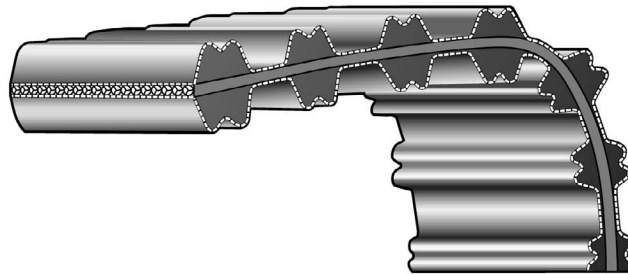
## Double Sided Metric Belts

Double-sided belts have teeth equally constructed on each side of the belt, which enables them to mesh with toothed pulleys on both the inside and outside. The construction of the belts is basically the same as standard Metric belts, except that the nylon facing is also on the backing teeth, enabling full torque transmission from each side of the belt.

Double sided belts enable:-

- Reverse motion between internal and external pulleys.
- Require only one belt to drive a series of pulleys.
- Simplified design layouts and weight reduction.

Standard Double sided belts are available in three sizes, 5M, 8M, and 14M, all operating on standard HTD pulleys.



## 5mm Pitch Double Sided Metric Belts Type 5M-DD

Belt Length mm	No. Teeth	9mm Wide Belt		15mm Wide Belt		25mm Wide Belt	
		Cat. No.	Wtgms	Cat. No.	Wtgms	Cat. No.	Wtgms
600	120	600-5M9DD	25	600-5M15DD	42	600-5M25DD	70
610	122	610-5M9DD	26	610-5M15DD	43	610-5M25DD	71
615	123	615-5M9DD	26	615-5M15DD	43	615-5M25DD	72
635	127	635-5M9DD	27	635-5M15DD	44	635-5M25DD	74
640	128	640-5M9DD	27	640-5M15DD	45	640-5M25DD	75
670	134	670-5M9DD	28	670-5M15DD	47	670-5M25DD	78
675	135	675-5M9DD	28	675-5M15DD	47	675-5M25DD	79
700	140	700-5M9DD	29	700-5M15DD	49	700-5M25DD	82
705	141	705-5M9DD	30	705-5M15DD	49	705-5M25DD	82
710	142	710-5M9DD	30	710-5M15DD	50	710-5M25DD	83
725	145	725-5M9DD	30	725-5M15DD	51	725-5M25DD	85
740	148	740-5M9DD	31	740-5M15DD	52	740-5M25DD	87
750	150	750-5M9DD	31	750-5M15DD	52	750-5M25DD	87
755	151	755-5M9DD	32	755-5M15DD	53	755-5M25DD	88
800	160	800-5M9DD	34	800-5M15DD	56	800-5M25DD	94
835	167	835-5M9DD	35	835-5M15DD	58	835-5M25DD	98
850	170	850-5M9DD	36	850-5M15DD	60	850-5M25DD	99
890	178	890-5M9DD	37	890-5M15DD	62	890-5M25DD	104
900	180	900-5M9DD	38	900-5M15DD	63	900-5M25DD	106
935	187	935-5M9DD	39	935-5M15DD	65	935-5M25DD	109
940	188	940-5M9DD	39	940-5M15DD	66	940-5M25DD	110
950	190	950-5M9DD	40	950-5M15DD	67	950-5M25DD	111
980	196	980-5M9DD	41	980-5M15DD	69	980-5M25DD	115
1000	200	1000-5M9DD	42	1000-5M15DD	70	1000-5M25DD	117
1025	205	1025-5M9DD	43	1025-5M15DD	72	1025-5M25DD	120
1050	210	1050-5M9DD	44	1050-5M15DD	74	1050-5M25DD	123
1100	220	1100-5M9DD	46	1100-5M15DD	77	1100-5M25DD	129
1125	225	1125-5M9DD	47	1125-5M15DD	79	1125-5M25DD	132
1135	227	1135-5M9DD	48	1135-5M15DD	79	1135-5M25DD	133
1195	239	1195-5M9DD	50	1195-5M15DD	84	1195-5M25DD	140
1200	240	1200-5M9DD	50	1200-5M15DD	84	1200-5M25DD	140
1240	248	1240-5M9DD	52	1240-5M15DD	87	1240-5M25DD	145
1270	254	1270-5M9DD	53	1270-5M15DD	89	1270-5M25DD	149
1420	284	1420-5M9DD	60	1420-5M15DD	99	1420-5M25DD	166
1595	319	1595-5M9DD	67	1595-5M15DD	112	1595-5M25DD	187
1690	338	1690-5M9DD	71	1690-5M15DD	118	1690-5M25DD	198
1790	358	1790-5M9DD	75	1790-5M15DD	125	1790-5M25DD	209
1800	360	1800-5M9DD	76	1800-5M15DD	126	1800-5M25DD	211
1870	374	1870-5M9DD	79	1870-5M15DD	131	1870-5M25DD	219
1895	379	1895-5M9DD	80	1895-5M15DD	133	1895-5M25DD	222
1945	389	1945-5M9DD	82	1945-5M15DD	136	1945-5M25DD	228
2000	400	2000-5M9DD	84	2000-5M15DD	140	2000-5M25DD	234
2250	450	2250-5M9DD	95	2250-5M15DD	158	2250-5M25DD	263
2525	505	2525-5M9DD	106	2525-5M15DD	177	2525-5M25DD	295

Tel +44 121 360 0155

Fax +44 121 325 1079

Email sales@crossmorse.com



### 8mm Pitch Double Sided Metric Belts Type 8M-DD

Belt Length mm	No. Teeth	20mm Wide Belt		30mm Wide Belt		50mm Wide Belt		85mm Wide Belt	
		Cat. No.	Wt kg	Cat. No.	Wt kg	Cat. No.	Wt kg	Cat. No.	Wt kg
600	75	600-8M20DD	0.068	600-8M30DD	0.102	600-8M50DD	0.170	600-8M85DD	0.288
608	76	608-8M20DD	0.069	608-8M30DD	0.103	608-8M50DD	0.172	608-8M85DD	0.292
632	79	632-8M20DD	0.071	632-8M30DD	0.107	632-8M50DD	0.179	632-8M85DD	0.304
640	80	640-8M20DD	0.072	640-8M30DD	0.108	640-8M50DD	0.181	640-8M85DD	0.307
680	85	680-8M20DD	0.077	680-8M30DD	0.115	680-8M50DD	0.192	680-8M85DD	0.327
720	90	720-8M20DD	0.081	720-8M30DD	0.122	720-8M50DD	0.203	720-8M85DD	0.346
800	100	800-8M20DD	0.090	800-8M30DD	0.136	800-8M50DD	0.226	800-8M85DD	0.384
840	105	840-8M20DD	0.095	840-8M30DD	0.142	840-8M50DD	0.237	840-8M85DD	0.403
880	110	880-8M20DD	0.099	880-8M30DD	0.149	880-8M50DD	0.249	880-8M85DD	0.423
896	112	896-8M20DD	0.101	896-8M30DD	0.152	896-8M50DD	0.253	896-8M85DD	0.430
920	115	920-8M20DD	0.104	920-8M30DD	0.156	920-8M50DD	0.260	920-8M85DD	0.442
960	120	960-8M20DD	0.108	960-8M30DD	0.163	960-8M50DD	0.271	960-8M85DD	0.461
1000	125	1000-8M20DD	0.113	1000-8M30DD	0.170	1000-8M50DD	0.283	1000-8M85DD	0.480
1040	130	1040-8M20DD	0.118	1040-8M30DD	0.176	1040-8M50DD	0.294	1040-8M85DD	0.499
1080	135	1080-8M20DD	0.122	1080-8M30DD	0.183	1080-8M50DD	0.305	1080-8M85DD	0.519
1120	140	1120-8M20DD	0.127	1120-8M30DD	0.190	1120-8M50DD	0.316	1120-8M85DD	0.538
1200	150	1200-8M20DD	0.136	1200-8M30DD	0.203	1200-8M50DD	0.339	1200-8M85DD	0.576
1224	153	1224-8M20DD	0.138	1224-8M30DD	0.207	1224-8M50DD	0.346	1224-8M85DD	0.588
1280	160	1280-8M20DD	0.145	1280-8M30DD	0.217	1280-8M50DD	0.362	1280-8M85DD	0.615
1352	169	1352-8M20DD	0.153	1352-8M30DD	0.229	1352-8M50DD	0.382	1352-8M85DD	0.649
1440	180	1440-8M20DD	0.163	1440-8M30DD	0.244	1440-8M50DD	0.407	1440-8M85DD	0.692
1464	183	1464-8M20DD	0.165	1464-8M30DD	0.248	1464-8M50DD	0.414	1464-8M85DD	0.703
1600	200	1600-8M20DD	0.181	1600-8M30DD	0.271	1600-8M50DD	0.452	1600-8M85DD	0.768
1760	220	1760-8M20DD	0.199	1760-8M30DD	0.298	1760-8M50DD	0.497	1760-8M85DD	0.845
1800	225	1800-8M20DD	0.203	1800-8M30DD	0.305	1800-8M50DD	0.509	1800-8M85DD	0.864
2000	250	2000-8M20DD	0.226	2000-8M30DD	0.339	2000-8M50DD	0.565	2000-8M85DD	0.961
2200	275	2200-8M20DD	0.249	2200-8M30DD	0.373	2200-8M50DD	0.622	2200-8M85DD	1.057
2400	300	2400-8M20DD	0.271	2400-8M30DD	0.407	2400-8M50DD	0.678	2400-8M85DD	1.153
2520	315	2520-8M20DD	0.285	2520-8M30DD	0.427	2520-8M50DD	0.712	2520-8M85DD	1.210
2600	325	2600-8M20DD	0.294	2600-8M30DD	0.441	2600-8M50DD	0.735	2600-8M85DD	1.249
2800	350	2800-8M20DD	0.316	2800-8M30DD	0.475	2800-8M50DD	0.791	2800-8M85DD	1.345
3048	381	3048-8M20DD	0.344	3048-8M30DD	0.517	3048-8M50DD	0.861	3048-8M85DD	1.464
3280	410	3280-8M20DD	0.371	3280-8M30DD	0.556	3280-8M50DD	0.927	3280-8M85DD	1.575
3600	450	3600-8M20DD	0.407	3600-8M30DD	0.610	3600-8M50DD	1.017	3600-8M85DD	1.729
4400	550	4400-8M20DD	0.497	4400-8M30DD	0.746	4400-8M50DD	1.243	4400-8M85DD	2.113

### 14mm Pitch Double-sided Metric Belts Type 14M-DD

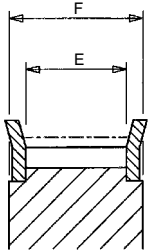
Belt Length mm	No. Teeth	40mm Wide Belt		55mm Wide Belt		85mm Wide Belt		115mm Wide Belt		170mm Wide Belt	
		Cat. No.	Wt kg	Cat. No.	Wt kg	Cat. No.	Wt kg	Cat. No.	Wt kg	Cat. No.	Wt kg
966	69	966-14M40DD	0.38	966-14M55DD	0.52	966-14M85DD	0.81	966-14M115DD	1.09	966-14M170DD	1.62
994	71	994-14M40DD	0.39	994-14M55DD	0.54	994-14M85DD	0.83	994-14M115DD	1.13	994-14M170DD	1.66
1092	78	1092-14M40DD	0.43	1092-14M55DD	0.59	1092-14M85DD	0.91	1092-14M115DD	1.24	1092-14M170DD	1.83
1106	79	1106-14M40DD	0.44	1106-14M55DD	0.60	1106-14M85DD	0.93	1106-14M115DD	1.25	1106-14M170DD	1.85
1190	85	1190-14M40DD	0.47	1190-14M55DD	0.64	1190-14M85DD	1.00	1190-14M115DD	1.35	1190-14M170DD	1.99
1260	90	1260-14M40DD	0.50	1260-14M55DD	0.68	1260-14M85DD	1.05	1260-14M115DD	1.43	1260-14M170DD	2.11
1288	92	1288-14M40DD	0.51	1288-14M55DD	0.70	1288-14M85DD	1.08	1288-14M115DD	1.46	1288-14M170DD	2.16
1344	96	1344-14M40DD	0.53	1344-14M55DD	0.73	1344-14M85DD	1.13	1344-14M115DD	1.52	1344-14M170DD	2.25
1400	100	1400-14M40DD	0.55	1400-14M55DD	0.76	1400-14M85DD	1.17	1400-14M115DD	1.59	1400-14M170DD	2.34
1442	103	1442-14M40DD	0.57	1442-14M55DD	0.78	1442-14M85DD	1.21	1442-14M115DD	1.63	1442-14M170DD	2.41
1568	112	1568-14M40DD	0.62	1568-14M55DD	0.85	1568-14M85DD	1.31	1568-14M115DD	1.78	1568-14M170DD	2.63
1610	115	1610-14M40DD	0.63	1610-14M55DD	0.87	1610-14M85DD	1.35	1610-14M115DD	1.82	1610-14M170DD	2.70
1750	125	1750-14M40DD	0.69	1750-14M55DD	0.95	1750-14M85DD	1.47	1750-14M115DD	1.98	1750-14M170DD	2.93
1764	126	1764-14M40DD	0.70	1764-14M55DD	0.96	1764-14M85DD	1.48	1764-14M115DD	2.00	1764-14M170DD	2.95
1778	127	1778-14M40DD	0.70	1778-14M55DD	0.96	1778-14M85DD	1.49	1778-14M115DD	2.01	1778-14M170DD	2.98
1848	132	1848-14M40DD	0.73	1848-14M55DD	1.00	1848-14M85DD	1.55	1848-14M115DD	2.09	1848-14M170DD	3.09
1890	135	1890-14M40DD	0.74	1890-14M55DD	1.02	1890-14M85DD	1.58	1890-14M115DD	2.14	1890-14M170DD	3.16
1904	136	1904-14M40DD	0.75	1904-14M55DD	1.03	1904-14M85DD	1.59	1904-14M115DD	2.16	1904-14M170DD	3.19
1960	140	1960-14M40DD	0.77	1960-14M55DD	1.06	1960-14M85DD	1.64	1960-14M115DD	2.22	1960-14M170DD	3.28
2100	150	2100-14M40DD	0.83	2100-14M55DD	1.14	2100-14M85DD	1.76	2100-14M115DD	2.38	2100-14M170DD	3.52
2240	160	2240-14M40DD	0.88	2240-14M55DD	1.21	2240-14M85DD	1.88	2240-14M115DD	2.54	2240-14M170DD	3.75
2310	165	2310-14M40DD	0.91	2310-14M55DD	1.25	2310-14M85DD	1.93	2310-14M115DD	2.62	2310-14M170DD	3.87
2380	170	2380-14M40DD	0.94	2380-14M55DD	1.29	2380-14M85DD	1.99	2380-14M115DD	2.70	2380-14M170DD	3.99
2450	175	2450-14M40DD	0.97	2450-14M55DD	1.33	2450-14M85DD	2.05	2450-14M115DD	2.78	2450-14M170DD	4.10
2590	185	2590-14M40DD	1.02	2590-14M55DD	1.40	2590-14M85DD	2.17	2590-14M115DD	2.93	2590-14M170DD	4.34
2660	190	2660-14M40DD	1.05	2660-14M55DD	1.44	2660-14M85DD	2.23	2660-14M115DD	3.01	2660-14M170DD	4.45
2800	200	2800-14M40DD	1.10	2800-14M55DD	1.52	2800-14M85DD	2.34	2800-14M115DD	3.17	2800-14M170DD	4.69
2968	212	2968-14M40DD	1.17	2968-14M55DD	1.61	2968-14M85DD	2.48	2968-14M115DD	3.36	2968-14M170DD	4.97
3150	225	3150-14M40DD	1.24	3150-14M55DD	1.71	3150-14M85DD	2.64	3150-14M115DD	3.57	3150-14M170DD	5.27
3360	240	3360-14M40DD	1.32	3360-14M55DD	1.82	3360-14M85DD	2.81	3360-14M115DD	3.81	3360-14M170DD	5.63
3500	250	3500-14M40DD	1.38	3500-14M55DD	1.90	3500-14M85DD	2.93	3500-14M115DD	3.96	3500-14M170DD	5.86
3850	275	3850-14M40DD	1.52	3850-14M55DD	2.09	3850-14M85DD	3.22	3850-14M115DD	4.36	3850-14M170DD	6.45
3920	280	3920-14M40DD	1.54	3920-14M55DD	2.12	3920-14M85DD	3.28	3920-14M115DD	4.44	3920-14M170DD	6.56
4326	309	4326-14M40DD	1.70	4326-14M55DD	2.34	4326-14M85DD	3.62	4326-14M115DD	4.90	4326-14M170DD	7.24
4578	327	4578-14M40DD	1.80	4578-14M55DD	2.48	4578-14M85DD	3.83	4578-14M115DD	5.19	4578-14M170DD	7.67
4956	354	4956-14M40DD	1.95	4956-14M55DD	2.68	4956-14M85DD	4.15	4956-14M115DD	5.61	4956-14M170DD	8.30

# HTD Timing Pulleys - 3M Belts



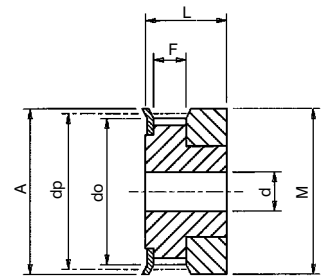
Cross & Morse HTD Pulleys are manufactured to close tolerances to ensure concentric running, and have precision generated gear teeth to match the high power and speed capabilities of HTD drive belts. Only high quality materials are used for pulley manufacture; aluminium being selected for 3M and larger 5M pulleys to keep weight and inertia low; all other pulleys machined from medium carbon steel bar or 260 Grade cast iron and finished with zinc phosphate for corrosion protection.

Standard pulleys are offered with a large range of tooth sizes in widths to suit all standard HTD belts. Pulleys for 5M, 8M and 14M drives are available with parallel pilot bore for reworking to customers requirements, bored for shaft clamping elements, or with taper bore to be combined with stock taper brushes for the complete off-the-shelf drive. Pulleys of non-standard widths or numbers of teeth can be supplied to order, or teeth can be generated on customers own blanks. Smaller pulleys are fitted with two flanges to retain the drive belt, these being identified in tables by suffix 'F' on pulley type. The flanges are pressed onto pulley body and retained by spin rivetting.

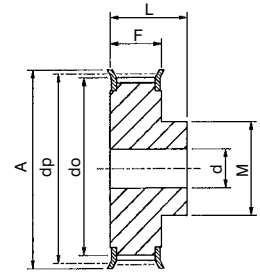


Belt Size	3M			5M			8M				14M						
	Belt Width mm					9	15	25	20	30	50	85	40	55	85	115	170
E	10.2	17	11.9	17.9	27.9	23	33	55	90	47	63	95	126	180			
F	13.4	20	14.5	20.5	30.5	28	38	60	95	54	70	102	133	187			

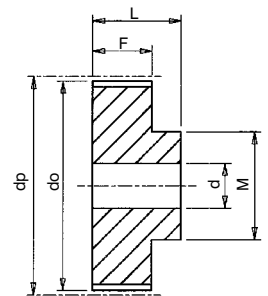
Catalogue No.	No. Teeth Z	Pulley Type	Pitch Circle Diameter dp	Min. Bore d	Max Bore d	Outside Diameter do	Flange Diameter A	Pulley Width F	Bore Length L	Hub Diameter M	Approx. Weight kg
<b>3mm Pitch Pulleys for 6mm wide Belts. Ref. 3M06</b>											
10-3M-06	10	0F	9.55	4.0	4.0	8.8	13.0	7.2	14.5	13.0	.003
12-3M-06	12	0F	11.46	4.0	6.0	10.7	15.0	7.2	14.5	15.0	.005
14-3M-06	14	0F	13.37	4.0	7.0	12.6	16.0	7.2	14.5	16.0	.006
15-3M-06	15	0F	14.32	4.0	8.0	13.6	17.5	7.2	14.5	17.5	.007
16-3M-06	16	1F	15.28	4.0	6.5	14.5	18.0	9.8	17.5	10.0	.006
18-3M-06	18	1F	17.19	6.0	7.0	16.4	20.0	9.8	17.5	11.0	.007
20-3M-06	20	1F	19.10	6.0	8.0	18.3	23.0	9.8	17.5	13.0	.008
21-3M-06	21	1F	20.05	6.0	8.5	19.3	25.0	9.8	17.5	13.0	.011
22-3M-06	22	1F	21.01	6.0	8.5	20.3	25.0	9.8	17.5	13.0	.012
24-3M-06	24	1F	22.92	6.0	8.5	22.2	25.0	9.8	17.5	13.0	.014
26-3M-06	26	1F	24.83	6.0	10.5	24.1	28.0	9.8	17.5	16.0	.016
28-3M-06	28	1F	26.74	6.0	11.5	26.0	32.0	9.8	17.5	18.0	.021
30-3M-06	30	1F	28.65	6.0	12.7	27.9	32.0	9.8	17.5	20.0	.024
32-3M-06	32	1F	30.55	6.0	14.0	29.8	36.0	9.8	17.5	22.0	.028
36-3M-06	36	1F	34.38	6.0	17.0	33.6	38.0	10.3	18.0	26.0	.039
40-3M-06	40	1F	38.20	6.0	18.5	37.4	42.0	10.3	18.0	28.0	.047
44-3M-06	44	1F	42.02	6.0	22.5	41.3	48.0	10.3	18.0	33.0	.062
48-3M-06	48	1	45.84	8.0	22.5	45.1	-	10.3	18.6	33.0	.062
60-3M-06	60	1	57.30	8.0	22.5	56.5	-	10.3	18.6	33.0	.091
72-3M-06	72	1	68.75	8.0	22.5	68.0	-	10.3	18.6	33.0	.124
<b>3mm Pitch Pulleys for 9mm wide Belts. Ref. 3M09</b>											
10-3M-09	10	0F	9.55	4.0	4.0	8.8	13.0	10.2	17.5	13.0	.004
12-3M-09	12	0F	11.46	4.0	6.0	10.7	15.0	10.2	17.5	15.0	.006
14-3M-09	14	0F	13.37	4.0	7.0	12.6	16.0	10.2	17.5	16.0	.007
15-3M-09	15	0F	14.32	4.0	8.0	13.6	17.5	10.2	17.5	17.5	.008
16-3M-09	16	1F	15.28	4.0	6.5	14.5	18.0	12.8	20.6	10.0	.007
18-3M-09	18	1F	17.19	6.0	7.0	16.4	20.0	12.8	20.6	11.0	.008
20-3M-09	20	1F	19.10	6.0	8.0	18.3	23.0	12.8	20.6	13.0	.010
21-3M-09	21	1F	20.05	6.0	8.5	19.3	25.0	12.8	20.6	13.0	.013
22-3M-09	22	1F	21.01	6.0	8.5	20.3	25.0	12.8	20.6	13.0	.014
24-3M-09	24	1F	22.92	6.0	8.5	22.2	25.0	12.8	20.6	13.0	.016
26-3M-09	26	1F	24.83	6.0	10.5	24.1	28.0	12.8	20.6	16.0	.018
28-3M-09	28	1F	26.74	6.0	11.5	26.0	32.0	12.8	20.6	18.0	.024
30-3M-09	30	1F	28.65	6.0	12.7	27.9	32.0	12.8	20.6	20.0	.028
32-3M-09	32	1F	30.55	6.0	14.0	29.8	36.0	12.8	20.6	22.0	.032
36-3M-09	36	1F	34.38	6.0	17.0	33.6	38.0	13.4	22.2	26.0	.045
40-3M-09	40	1F	38.20	6.0	18.5	37.4	42.0	13.4	22.2	28.0	.055
44-3M-09	44	1F	42.02	6.0	22.5	41.3	48.0	13.4	22.2	33.0	.074
48-3M-09	48	1	45.84	8.0	22.5	45.1	-	13.4	22.2	33.0	.074
60-3M-09	60	1	57.30	8.0	22.5	56.5	-	13.4	22.2	33.0	.106
72-3M-09	72	1	68.75	8.0	22.5	68.0	-	13.4	22.2	33.0	.145
<b>3mm Pitch Pulleys for 15mm wide Belts. Ref. 3M15</b>											
10-3M-15	10	0F	9.55	4.0	4.0	8.8	13.0	17.0	26.0	13.0	.006
12-3M-15	12	0F	11.46	4.0	6.0	10.7	15.0	17.0	26.0	15.0	.008
14-3M-15	14	0F	13.37	4.0	7.0	12.6	16.0	17.0	26.0	16.0	.010
15-3M-15	15	0F	14.32	4.0	8.0	13.6	17.5	17.0	26.0	17.5	.012
16-3M-15	16	1F	15.28	4.0	6.5	14.5	18.0	19.5	26.0	10.0	.010
18-3M-15	18	1F	17.19	6.0	7.0	16.4	20.0	19.5	26.0	11.0	.012
20-3M-15	20	1F	19.10	6.0	8.0	18.3	23.0	19.5	26.0	13.0	.014
21-3M-15	21	1F	20.05	6.0	8.5	19.3	25.0	19.5	26.0	13.0	.016
22-3M-15	22	1F	21.01	6.0	8.5	20.3	25.0	19.5	26.0	13.0	.018
24-3M-15	24	1F	22.92	6.0	8.5	22.2	25.0	19.5	26.0	13.0	.020
26-3M-15	26	1F	24.83	6.0	10.5	24.1	28.0	19.5	26.0	16.0	.027
28-3M-15	28	1F	26.74	6.0	11.5	26.0	32.0	19.5	26.0	18.0	.030
30-3M-15	30	1F	28.65	6.0	12.7	27.9	32.0	19.5	26.0	20.0	.038
32-3M-15	32	1F	30.55	6.0	14.0	29.8	36.0	19.5	26.0	22.0	.045
36-3M-15	36	1F	34.38	6.0	17.0	33.6	38.0	20.0	30.0	26.0	.060
40-3M-15	40	1F	38.20	6.0	18.5	37.4	42.0	20.0	30.0	28.0	.075
44-3M-15	44	1F	42.02	6.0	22.5	41.3	48.0	20.0	30.0	33.0	.095
48-3M-15	48	1	45.84	8.0	22.5	45.1	-	20.0	30.0	33.0	.103
60-3M-15	60	1	57.30	8.0	22.5	56.5	-	20.0	30.0	33.0	.150
72-3M-15	72	1	68.75	8.0	22.5	68.0	-	20.0	30.0	33.0	.210



**Type 0F**  
Material: Aluminium



**Type 1F**  
Material: Aluminium



**Type 1**  
Material: Aluminium

Tel +44 121 360 0155

Fax +44 121 325 1079

Email sales@crossmorse.com

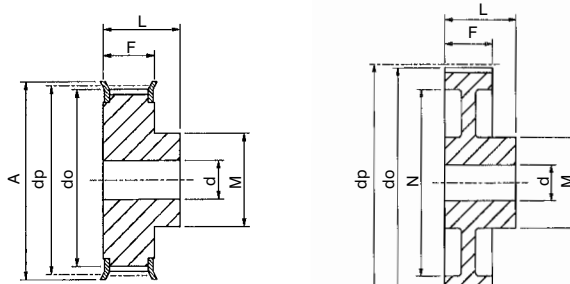


# HTD Timing Pulleys - 5M Belts



## Pulley Types

Pulley types referred to in tables are as drawings below. The suffix 'F' indicates pulley flanges



**Type 1F**

Material: Steel

**Type 2**

Material: Aluminium

Catalogue No.	No. Teeth Z	Pulley Type	Pitch Circle Diameter dp	Min. Bore d	Max Bore d	Outside Diameter do	Flange Diameter A	Pulley Width F	Bore Length L	Hub Diameter M	Rim Diameter N	Approx. Weight kg
<b>5mm Pitch Pulleys for 9mm wide Belts. Ref. 5M09</b>												
12-5M-09	12	1F	19.10	4.0	7	18.0	23.0	14.5	20.0	12.0	-	.028
14-5M-09	14	1F	22.28	6.0	8	21.1	25.0	14.5	20.0	13.0	-	.034
15-5M-09	15	1F	23.87	6.0	10	22.7	28.0	14.5	20.0	16.0	-	.042
16-5M-09	16	1F	25.46	6.0	11	24.3	28.0	14.5	20.0	16.5	-	.050
18-5M-09	18	1F	28.65	6.0	13	27.5	32.0	14.5	20.0	20.0	-	.070
20-5M-09	20	1F	31.83	6.0	14	30.7	36.0	14.5	22.5	23.0	-	.094
21-5M-09	21	1F	33.42	6.0	15	32.3	38.0	14.5	22.5	24.0	-	.110
22-5M-09	22	1F	35.01	6.0	16	33.9	38.0	14.5	22.5	25.5	-	.118
24-5M-09	24	1F	38.20	6.0	18	37.1	42.0	14.5	22.5	27.0	-	.145
26-5M-09	26	1F	41.38	6.0	20	40.2	44.0	14.5	22.5	30.0	-	.170
28-5M-09	28	1F	44.56	6.0	20	43.4	48.0	14.5	22.5	30.5	-	.200
30-5M-09	30	1F	47.75	6.0	24	46.6	51.0	14.5	22.5	35.0	-	.236
32-5M-09	32	1F	50.93	8.0	26	49.8	54.0	14.5	22.5	38.0	-	.270
36-5M-09	36	1F	57.30	8.0	26	56.2	60.0	14.5	22.5	38.0	-	.324
40-5M-09	40	1F	63.66	8.0	26	62.5	70.0	14.5	22.5	38.0	-	.400
44-5M-09	44	2	70.03	8.0	26	68.9	-	14.5	25.5	38.0	54	.170
48-5M-09	48	2	76.39	8.0	26	75.3	-	14.5	25.5	45.0	61	.182
60-5M-09	60	2	95.49	8.0	30	94.4	-	14.5	25.5	45.0	80	.230
72-5M-09	72	2	114.59	8.0	30	113.5	-	14.5	25.5	45.0	100	.270
<b>5mm Pitch Pulleys for 15mm wide Belts. Ref. 5M15</b>												
12-5M-15	12	1F	19.10	4.0	7	18.0	23.0	20.5	26.0	12.0	-	.034
14-5M-15	14	1F	22.28	6.0	8	21.1	25.0	20.5	26.0	13.0	-	.046
15-5M-15	15	1F	23.87	6.0	10	22.7	28.0	20.5	26.0	16.0	-	.056
16-5M-15	16	1F	25.46	6.0	11	24.3	28.0	20.5	26.0	16.5	-	.064
18-5M-15	18	1F	28.65	6.0	13	27.5	32.0	20.5	26.0	20.0	-	.086
20-5M-15	20	1F	31.83	6.0	14	30.7	36.0	20.5	26.0	23.0	-	.112
21-5M-15	21	1F	33.42	6.0	15	32.3	38.0	20.5	26.0	24.0	-	.130
22-5M-15	22	1F	35.01	6.0	16	33.9	38.0	20.5	26.0	25.5	-	.140
24-5M-15	24	1F	38.20	6.0	18	37.1	42.0	20.5	28.0	27.0	-	.180
26-5M-15	26	1F	41.38	6.0	20	40.2	44.0	20.5	28.0	30.0	-	.220
28-5M-15	28	1F	44.56	6.0	20	43.4	48.0	20.5	28.0	30.5	-	.250
30-5M-15	30	1F	47.75	6.0	24	46.6	51.0	20.5	28.0	35.0	-	.300
32-5M-15	32	1F	50.93	8.0	26	49.8	54.0	20.5	28.0	38.0	-	.350
36-5M-15	36	1F	57.30	8.0	26	56.2	60.0	20.5	28.0	38.0	-	.426
40-5M-15	40	1F	63.66	8.0	26	62.5	70.0	20.5	28.0	38.0	-	.520
44-5M-15	44	2	70.03	8.0	26	68.9	-	20.5	30.0	38.0	54	.225
48-5M-15	48	2	76.39	8.0	30	75.3	-	20.5	30.0	45.0	61	.187
60-5M-15	60	2	95.49	8.0	30	94.4	-	20.5	30.0	45.0	80	.305
72-5M-15	72	2	114.59	8.0	30	113.5	-	20.5	30.0	45.0	100	.375
<b>5mm Pitch Pulleys for 25mm wide Belts. Ref. 5M25</b>												
12-5M-25	12	1F	19.10	4.0	7	18.0	23.0	30.5	36.0	12.0	-	0.50
14-5M-25	14	1F	22.28	6.0	8	21.1	25.0	30.5	36.0	13.0	-	0.70
15-5M-25	15	1F	23.87	6.0	10	22.7	28.0	30.5	36.0	16.0	-	0.80
16-5M-25	16	1F	25.46	6.0	11	24.3	28.0	30.5	36.0	16.5	-	1.00
18-5M-25	18	1F	28.65	6.0	13	27.5	32.0	30.5	36.0	20.0	-	1.20
20-5M-25	20	1F	31.83	6.0	14	30.7	36.0	30.5	36.0	23.0	-	1.60
21-5M-25	21	1F	33.42	6.0	15	32.3	38.0	30.5	38.0	24.0	-	1.80
22-5M-25	22	1F	35.01	6.0	16	33.9	38.0	30.5	38.0	25.5	-	2.10
24-5M-25	24	1F	38.20	6.0	18	37.1	42.0	30.5	38.0	27.0	-	2.50
26-5M-25	26	1F	41.38	6.0	20	40.2	44.0	30.5	38.0	30.0	-	3.00
28-5M-25	28	1F	44.56	6.0	20	43.4	48.0	30.5	38.0	30.5	-	3.50
30-5M-25	30	1F	47.75	6.0	24	46.6	51.0	30.5	38.0	35.0	-	4.20
32-5M-25	32	1F	50.93	8.0	26	49.8	54.0	30.5	38.0	38.0	-	4.85
36-5M-25	36	1F	57.30	8.0	26	56.2	60.0	30.5	38.0	38.0	-	5.95
40-5M-25	40	1F	63.66	8.0	26	62.5	70.0	30.5	38.0	38.0	-	7.45
44-5M-25	44	2	70.03	8.0	26	68.9	-	30.5	40.0	38.0	54	3.20
48-5M-25	48	2	76.39	8.0	30	75.3	-	30.5	40.0	45.0	61	2.75
60-5M-25	60	2	95.49	8.0	30	94.4	-	30.5	40.0	45.0	80	4.35
72-5M-25	72	2	114.59	8.0	30	113.5	-	30.5	40.0	45.0	100	5.25

All dimensions in mm. Other sizes of Pulleys can be supplied on short delivery.

Pulleys can be supplied bored and keywayed. For Taper Bore Pulleys see page 21.

## Pulley Installation

Correct and accurate installation of Timing Drives is essential. Pulley alignment and shaft parallelism is very important as misalignment of the drive will cause unequal loading across the belt width and edge wear of belt on flanges. Pulley alignment can be checked by placing a straight edge against the outside edge of the pulleys and adjusting so contact made evenly across both pulleys. The shaft should be located within a rigid framework, as any distortion under load could result in a reduction of centre distance which will cause jumping of belt on pulley teeth. If idlers are used they must be locked firmly into position after correct belt tensioning. Refer to page 10 for additional on drive installation.



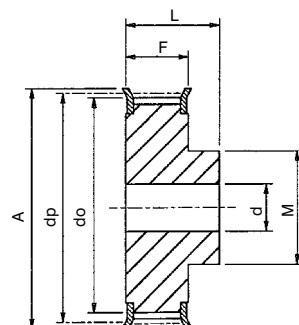
# Plain Bore Pulleys 8M Belts



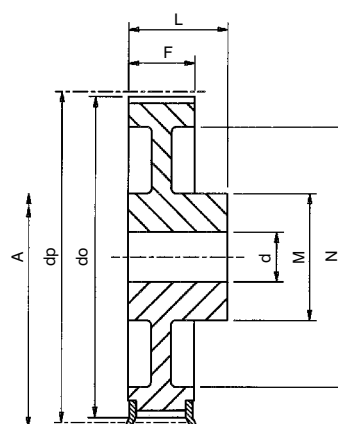
Catalogue No.	No. Teeth Z	Pulley Type	Pitch Circle Diameter dp	Min. Bore d	Max Bore d	Outside Diameter do	Flange Diameter A	Pulley Width F	Bore Length L	Hub Diameter M	Rim Diameter N	Approx. Weight kg
<b>8mm Pitch Pulleys for 20mm wide Belts. Ref. 8M20</b>												
P22-8M-20	22	1F	56.02	12	29	54.7	60	28	38	43	-	0.54
P24-8M-20	24	1F	61.12	12	30	59.8	66	28	38	45	-	0.65
P26-8M-20	26	1F	66.21	12	32	64.9	70	28	38	48	-	0.80
P28-8M-20	28	1F	71.30	15	34	70.1	75	28	38	50	-	0.87
P30-8M-20	30	1F	76.39	15	36	75.1	83	28	38	55	-	1.02
P32-8M-20	32	1F	81.49	15	40	80.2	87	28	38	60	-	1.20
P34-8M-20	34	1F	86.58	15	46	85.2	91	28	38	70	-	1.40
P36-8M-20	36	1F	91.67	15	50	90.3	97	28	38	75	-	1.55
P38-8M-20	38	1F	96.77	15	50	95.4	102	28	38	75	-	1.65
P40-8M-20	40	1F	101.86	15	50	100.5	106	28	38	75	-	1.74
P44-8M-20	44	1F	112.05	15	50	110.7	120	28	38	75	-	2.10
P48-8M-20	48	1F	122.23	15	50	120.9	128	28	38	75	-	2.44
P56-8M-20	56	2F	142.60	15	54	141.2	150	28	38	80	116	2.60
P64-8M-20	64	2F	162.97	15	54	161.6	168	28	38	80	137	2.90
P72-8M-20	72	2F	183.35	15	54	182.0	192	28	38	80	158	3.10
P80-8M-20	80	2	203.72	15	54	202.4	-	28	38	90	180	3.80
P90-8M-20	90	2	229.18	15	54	227.8	-	28	38	90	204	4.20
P112-8M-20	112	2	285.21	18	54	283.8	-	28	38	90	254	5.20
P144-8M-20	144	2	366.69	20	54	365.3	-	28	38	90	336	7.50
P168-8M-20	168	2	427.81	20	60	426.4	-	28	38	100	400	10.00
P192-8M-20	192	2	488.92	20	60	487.6	-	28	38	100	460	14.40
<b>8mm Pitch Pulleys for 30mm wide Belts. Ref. 8M30</b>												
P22-8M-30	22	1F	56.02	12	29	54.7	60	38	48	43	-	0.69
P24-8M-30	24	1F	61.12	12	30	59.8	66	38	48	45	-	0.84
P26-8M-30	26	1F	66.21	12	32	64.9	70	38	48	48	-	1.00
P28-8M-30	28	1F	71.30	15	34	70.1	75	38	48	50	-	1.12
P30-8M-30	30	1F	76.39	15	36	75.1	83	38	48	55	-	1.32
P32-8M-30	32	1F	81.49	15	40	80.2	87	38	48	60	-	1.53
P34-8M-30	34	1F	86.58	15	46	85.2	91	38	48	70	-	1.80
P36-8M-30	36	1F	91.67	15	50	90.3	97	38	48	75	-	1.99
P38-8M-30	38	1F	96.77	15	50	95.4	102	38	48	75	-	2.27
P40-8M-30	40	1F	101.86	15	50	100.5	106	38	48	75	-	2.40
P44-8M-30	44	1F	112.05	15	50	110.7	120	38	48	75	-	2.80
P48-8M-30	48	1F	122.23	15	50	120.9	128	38	48	75	-	3.20
P56-8M-30	56	2F	142.60	15	60	141.2	150	38	48	90	116	3.60
P64-8M-30	64	2F	162.97	15	60	161.6	168	38	48	90	137	4.30
P72-8M-30	72	2F	183.35	15	63	182.0	192	38	48	95	158	4.80
P80-8M-30	80	2	203.72	15	60	202.4	-	38	48	100	180	5.10
P90-8M-30	90	2	229.18	15	60	227.8	-	38	48	100	204	5.70
P112-8M-30	112	2	285.21	18	60	283.8	-	38	48	100	254	6.80
P144-8M-30	144	2	366.69	20	60	365.3	-	38	48	100	336	9.30
P168-8M-30	168	2	427.81	20	60	426.4	-	38	48	100	400	11.40
P192-8M-30	192	2	488.92	20	60	487.6	-	38	48	100	460	16.00
<b>8mm Pitch Pulleys for 50mm wide Belts. Ref. 8M50</b>												
P22-8M-50	22	1F	56.02	12	29	54.7	60	60	70	43	-	1.00
P24-8M-50	24	1F	61.12	12	30	59.8	66	60	70	45	-	1.23
P26-8M-50	26	1F	66.21	15	32	64.9	70	60	70	48	-	1.50
P28-8M-50	28	1F	71.30	15	34	70.1	75	60	70	50	-	1.67
P30-8M-50	30	1F	76.39	15	36	75.1	83	60	70	55	-	1.97
P32-8M-50	32	1F	81.49	15	40	80.2	87	60	70	60	-	2.27
P34-8M-50	34	1F	86.58	15	44	85.2	91	60	70	66	-	2.69
P36-8M-50	36	1F	91.67	15	46	90.3	97	60	70	70	-	2.97
P38-8M-50	38	1F	96.77	15	50	95.4	102	60	70	75	-	3.23
P40-8M-50	40	1F	101.86	18	50	100.5	106	60	70	75	-	3.50
P44-8M-50	44	1F	112.05	18	50	110.7	120	60	70	75	-	3.90
P48-8M-50	48	1F	122.23	18	54	120.9	128	60	70	80	-	4.30
P56-8M-50	56	3F	142.60	18	60	141.2	150	60	60	90	116	5.00
P64-8M-50	64	3F	162.97	18	67	161.6	168	60	60	100	137	5.60
P72-8M-50	72	3F	183.35	18	67	182.0	192	60	60	100	158	6.80
P80-8M-50	80	3	203.72	18	66	202.4	-	60	60	110	180	6.90
P90-8M-50	90	3	229.18	18	66	227.8	-	60	60	110	204	8.60
P112-8M-50	112	3	285.21	18	66	283.8	-	60	60	110	254	9.60
P144-8M-50	144	3	366.69	20	66	365.3	-	60	60	110	336	13.80
P168-8M-50	168	3	427.81	20	72	426.4	-	60	60	120	400	16.00
P192-8M-50	192	3	488.92	20	78	487.6	-	60	60	130	460	22.40
<b>8mm Pitch Pulleys for 85mm wide Belts. Ref. 8M85</b>												
P22-8M-85	22	1F	56.02	12	29	54.7	60	95	105	43	-	1.55
P24-8M-85	24	1F	61.12	12	30	59.8	66	95	105	45	-	1.90
P26-8M-85	26	1F	66.21	12	32	64.9	70	95	105	48	-	2.25
P28-8M-85	28	1F	71.30	15	34	70.1	75	95	105	50	-	2.55
P30-8M-85	30	1F	76.39	15	36	75.1	83	95	105	55	-	3.00
P32-8M-85	32	1F	81.49	15	40	80.2	87	95	105	60	-	3.57
P34-8M-85	34	1F	86.58	15	44	85.2	91	95	105	66	-	4.00
P36-8M-85	36	1F	91.67	15	46	90.3	97	95	105	70	-	4.50
P38-8M-85	38	1F	96.77	15	50	95.4	102	95	105	75	-	5.00
P40-8M-85	40	1F	101.86	18	50	100.5	106	95	105	75	-	5.20
P44-8M-85	44	1F	112.05	18	50	110.7	120	95	105	75	-	6.60
P48-8M-85	48	1F	122.23	18	54	120.9	128	95	105	80	-	7.00
P56-8M-85	56	1F	142.60	18	54	141.2	150	95	105	90	-	10.00
P64-8M-85	64	3F	162.97	20	67	161.6	168	95	95	100	137	10.40
P72-8M-85	72	3F	183.35	20	67	182.0	192	95	95	100	158	11.40
P80-8M-85	80	3	203.72	20	66	202.4	-	95	95	110	180	11.10
P90-8M-85	90	3	229.18	20	66	227.8	-	95	95	110	204	12.20
P112-8M-85	112	3	285.21	24	66	283.8	-	95	95	110	254	15.00
P144-8M-85	144	3	366.69	24	66	365.3	-	95	95	110	336	21.50
P168-8M-85	168	3	427.81	24	72	426.4	-	95	95	120	400	24.10
P192-8M-85	192	3	488.92	24	78	487.6	-	95	95	130	460	30.60

## Pulley Types

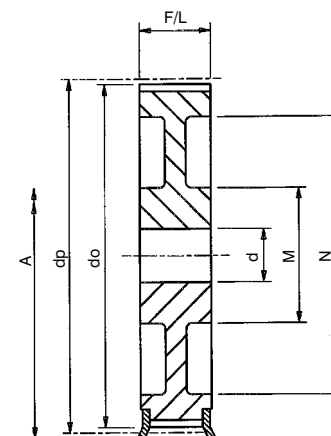
The Pulley types referred to in tables are as drawings below. Suffix 'F' indicates pulley has flanges. Pulley below dividing line in tables are manufactured in cast iron. Pulleys 112 teeth (80 teeth on 8M-85) and above incorporate lightening holes in design.



**Type 1F**  
Material: Steel



**Type 2/2F**  
Material: Steel or Cast Iron



**Type 3/3F**  
Material: Steel or Cast Iron

\*Non-stock items, manufactured to customer order only. All dimensions in mm. Standard Pulleys can be reworked to customers bore and keyway requirements

Tel +44 121 360 0155

Fax

Email sales@crossmorse.com

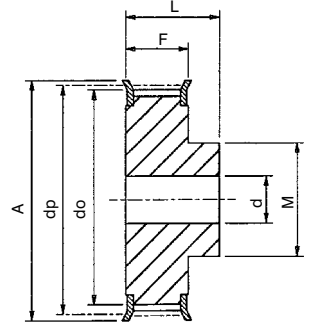
# Plain Bore Pulleys 14M Belts



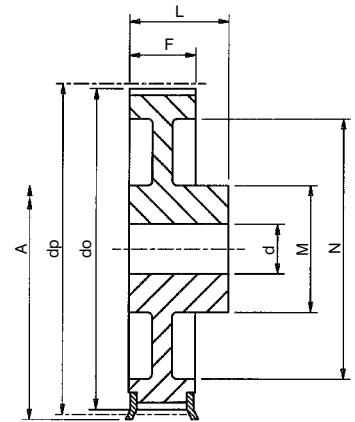
Catalogue No.	No. Teeth Z	Pulley Type	Pitch Circle Dia. dp	Min. Bore d	Max. Bore d	Outside Diameter do	Flange Diameter A	Pulley Width F	Bore Length L	Hub Diameter M	Rim Diameter N	Approx Weight kg
<b>14mm Pitch Pulleys for 40mm Wide Belts. Ref. 14M40</b>												
P28-14M-40	28	1F	124.78	24	67	122.1	128	54	69	100	-	4.73
P30-14M-40	30	1F	133.69	24	67	131.0	138	54	69	100	-	5.45
P32-14M-40	32	1F	142.60	24	67	139.9	154	54	69	100	-	6.17
P34-14M-40	34	1F	151.52	24	67	148.8	160	54	69	100	-	6.88
P36-14M-40	36	1F	160.43	24	67	157.7	168	54	69	100	-	7.60
P38-14M-40	38	1F	169.34	24	80	166.6	184	54	69	120	-	8.28
P40-14M-40	40	1F	178.25	24	80	175.5	188	54	69	120	-	9.26
P44-14M-40	44	1F	196.08	24	80	193.3	212	54	69	120	-	10.32
P48-14M-40	48	2F	213.90	24	82	211.1	226	54	69	135	170	11.50
P56-14M-40	56	2F	249.55	28	82	246.8	256	54	69	135	207	13.05
P64-14M-40	64	2F	285.21	28	82	282.4	296	54	69	135	240	14.40
P72-14M-40	72	2	320.86	28	82	318.1	-	54	69	135	278	16.90
P80-14M-40	80	2	356.51	28	82	353.7	-	54	69	135	314	18.50
P90-14M-40	90	2	401.07	28	82	398.3	-	54	69	135	358	20.00
P112-14M-40	112	2	499.11	28	82	496.3	-	54	69	135	456	26.70
P144-14M-40	144	2	641.71	28	82	638.9	-	54	69	135	600	35.00
P168-14M-40	168	2	748.66	28	82	745.9	-	54	69	135	706	44.20
P192-14M-40	192	2	855.62	28	82	852.8	-	54	69	135	813	52.20
<b>14mm Pitch Pulleys for 55mm Wide Belts. Ref. 14M55</b>												
P28-14M-55	28	1F	124.78	24	67	122.1	128	70	85	100	-	5.60
P30-14M-55	30	1F	133.69	24	67	131.0	138	70	85	100	-	6.60
P32-14M-55	32	1F	142.60	24	67	139.9	154	70	85	100	-	7.60
P34-14M-55	34	1F	151.52	24	67	148.8	160	70	85	100	-	8.60
P36-14M-55	36	1F	160.43	24	67	157.7	168	70	85	100	-	9.60
P38-14M-55	38	1F	169.34	24	80	166.6	184	70	85	120	-	10.80
P40-14M-55	40	1F	178.25	24	80	175.5	188	70	85	120	-	11.20
P44-14M-55	44	1F	196.08	24	80	193.3	212	70	85	120	-	12.50
P48-14M-55	48	3F	213.90	24	82	211.1	226	70	70	135	170	13.70
P56-14M-55	56	3F	249.55	28	82	246.8	256	70	70	135	207	14.50
P64-14M-55	64	3F	285.21	28	82	282.4	296	70	70	135	240	15.60
P72-14M-55	72	3	320.86	28	82	318.1	-	70	70	135	278	16.90
P80-14M-55	80	3	356.51	28	82	353.7	-	70	70	135	314	20.00
P90-14M-55	90	3	401.07	28	82	398.3	-	70	70	135	358	22.60
P112-14M-55	112	3	499.11	28	82	496.3	-	70	70	135	456	29.50
P144-14M-55	144	3	641.71	28	82	638.9	-	70	70	135	600	39.00
P168-14M-55	188	3	748.66	28	82	745.9	-	70	70	135	706	48.50
P192-14M-55	192	3	855.62	28	82	852.8	-	70	70	135	813	57.80
<b>14mm Pitch Pulleys for 85mm Wide Belts. Ref. 14M85</b>												
P28-14M-85	28	1F	124.78	24	67	122.1	128	102	117	100	-	7.70
P30-14M-85	30	1F	133.69	24	67	131.0	138	102	117	100	-	9.10
P32-14M-85	32	1F	142.60	24	67	139.9	154	102	117	100	-	10.50
P34-14M-85	34	1F	151.52	24	67	148.8	160	102	117	100	-	11.90
P36-14M-85	36	1F	160.43	24	67	157.7	168	102	117	100	-	13.20
P38-14M-85	38	1F	169.34	32	80	166.6	184	102	117	120	-	15.15
P40-14M-85	40	1F	178.25	32	90	175.5	188	102	117	135	-	17.10
P44-14M-85	44	1F	196.08	32	90	193.3	212	102	117	135	-	23.30
P48-14M-85	48	1F	213.90	32	100	211.1	226	102	117	150	-	25.00
P56-14M-85	56	3F	249.55	32	90	246.8	256	102	102	150	207	25.00
P64-14M-85	64	3F	285.21	32	90	282.4	296	102	102	150	240	30.50
P72-14M-85	72	3	320.86	32	90	318.1	-	102	102	150	278	28.80
P80-14M-85	80	3	356.51	32	90	353.7	-	102	102	150	314	30.10
P90-14M-85	90	3	401.07	32	90	398.3	-	102	102	150	358	33.00
P112-14M-85	112	3	499.11	32	90	496.3	-	102	102	150	456	41.80
P144-14M-85	144	3	641.71	32	90	638.9	-	102	102	150	600	52.40
P168-14M-85	168	3	748.66	32	90	745.9	-	102	102	150	706	60.30
P192-14M-85	192	3	855.62	32	100	852.8	-	102	102	165	813	70.20
<b>14mm Pitch Pulleys for 115mm Wide Belts. Ref. 14M115</b>												
P28-14M-115	28	1F	124.78	32	67	122.1	128	133	148	100	-	9.20
P30-14M-115	30	1F	133.69	32	67	131.0	138	133	148	100	-	11.20
P32-14M-115	32	1F	142.60	32	67	139.9	154	133	148	100	-	13.20
P34-14M-115	34	1F	151.52	32	67	148.8	160	133	148	100	-	14.80
P36-14M-115	36	1F	160.43	32	67	157.7	168	133	148	100	-	16.60
P38-14M-115	38	1F	169.34	32	80	166.6	184	133	148	120	-	18.20
P40-14M-115	40	1F	178.25	32	90	175.5	188	133	148	135	-	20.56
P44-14M-115	44	1F	196.08	32	94	193.3	212	133	148	140	-	21.93
P48-14M-115	48	1F	213.90	32	100	211.1	226	133	148	150	-	25.00
P56-14M-115	56	1F	249.55	32	100	246.8	256	133	148	150	-	27.50
P64-14M-115	64	3F	285.21	32	90	282.4	296	133	133	150	240	30.10
P72-14M-115	72	3	320.86	32	90	318.1	-	133	133	150	278	32.83
P80-14M-115	80	3	356.51	32	90	353.7	-	133	133	150	314	35.55
P90-14M-115	90	3	401.07	32	90	398.3	-	133	133	150	358	41.00
P112-14M-115	112	3	499.11	32	90	496.3	-	133	133	150	456	54.40
P144-14M-115	144	3	641.71	32	100	638.9	-	133	133	165	600	67.80
P168-14M-115	168	3	748.66	32	100	745.9	-	133	133	165	706	75.80
P192-14M-115	192	3	855.62	32	100	852.8	-	133	133	165	813	88.30
<b>14mm Pitch Pulleys for 170mm Wide Belts. Ref. 14M170</b>												
P28-14M-170	28	1F	124.78	32	67	122.1	128	187	202	100	-	14.80
P30-14M-170	30	1F	133.69	32	67	131.0	138	187	202	100	-	16.70
P32-14M-170	32	1F	142.60	32	67	139.9	154	187	202	100	-	19.40
P34-14M-170	34	1F	151.52	32	67	148.8	160	187	202	100	-	21.85
P36-14M-170	36	1F	160.43	32	80	157.7	168	187	202	120	-	25.20
P38-14M-170	38	1F	169.34	32	90	166.6	183	187	202	135	-	28.40
P40-14M-170	40	1F	178.25	32	90	175.5	188	187	202	140	-	32.26
P48-14M-170	48	1F	213.90	32	90	211.1	226	187	202	150	-	39.50
P64-14M-170	64	3F	285.21	32	90	282.4	296	187	202	150	240	54.00
P80-14M-170	80	3	356.51	32	108	353.7	-	187	187	180	314	69.40
P90-14M-170	90	3	401.07	32	108	398.3	-	187	187	180	358	71.30
P112-14M-170	112	3	499.11	32	108	496.3	-	187	187	200	456	88.00
P144-14M-170	144	3	641.71	32	108	638.9	-	187	187	220	600	113.00
P192-14M-170	192	3	855.62	32	108	852.8	-	187	187	220	813	140.00

## Pulley Types

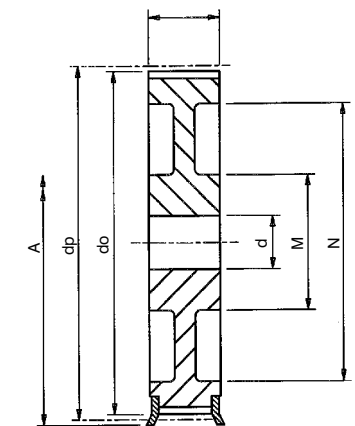
The pulley types referred to in tables are as drawings below. Suffix 'F' indicates pulley has flanges. Pulleys below dividing line in tables are manufactured in cast iron, unflanged pulleys incorporate lightening holes in design, except P80-14M-170. Std. Pulleys can be reworked to customers bore and keyway requirements.



**Type 1F**  
Material: Steel



**Type 2/2F**  
Material: Steel or Cast Iron



**Type 3/3F**  
Material: Cast Iron

All dimensions in mm.

Standard Pulleys can be reworked to customers bore and keyway requirements.

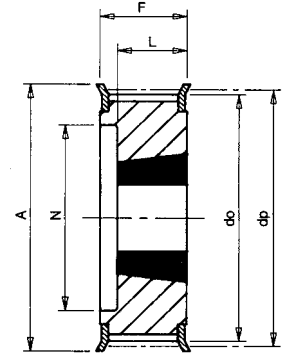
# Taper Bore Pulleys for HTD Size 5M & 8M Belts



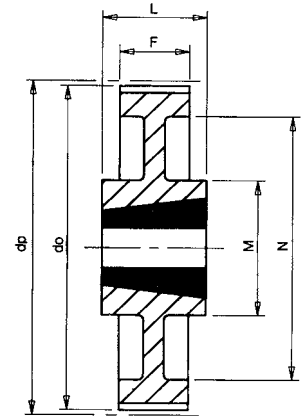
Catalogue No.	No. Teeth Z	Pulley Type	Pitch Circle Dia. dp	Taper Bush Ref.	Max. Bore d	Outside Diameter do	Flange Diameter A	Pulley Width F	Bore Length L	Hub Diameter M	Rim Diameter N	Approx Weight kg
<b>5mm Pitch Pulleys for 15mm Wide Belt Ref. 5M15</b>												
34-5M-15	34	9F	54.11	1008	25	53.0	57	22	22	-	-	0.23
36-5M-15	36	9F	57.30	1108	28	56.2	60	22	22	-	-	0.23
38-5M-15	38	9F	60.48	1108	28	59.4	66	22	22	-	-	0.29
40-5M-15	40	9F	63.66	1108	28	62.5	70	22	22	-	-	0.38
44-5M-15	44	9F	70.03	1108	28	68.9	75	22	22	-	-	0.48
48-5M-15	48	8F	76.39	1210	32	75.3	83	22	25	59	-	0.50
56-5M-15	56	8F	89.13	1210	32	87.9	93	22	25	70	-	0.66
64-5M-15	64	8F	101.86	1210	32	100.7	106	22	25	80	-	0.85
72-5M-15	72	8	114.59	1610	42	113.5	-	22	25	92	-	1.25
80-5M-15	80	8	127.32	1610	42	126.2	-	22	25	92	-	1.70
90-5M-15	90	8	143.24	1610	42	142.1	-	22	25	92	-	2.25
112-5M-15	112	8	178.25	2012	50	177.1	-	20	32	110	-	3.20
136-5M-15	136	7	216.45	2012	50	215.3	-	20	32	110	199	3.60
<b>8mm Pitch Pulleys for 20mm Wide Belt Ref. 8M20</b>												
22-8M-20	22	5F	56.02	1108	28	54.7	60	28	22	-	37	0.26
24-8M-20	24	5F	61.12	1108	28	59.8	66	28	22	-	44	0.30
26-8M-20	26	5F	66.21	1108	28	64.9	70	28	22	-	45	0.36
28-8M-20	28	5F	71.30	1108	28	70.1	75	28	22	-	50	0.44
30-8M-20	30	5F	76.39	1108	28	75.1	83	28	22	-	58	0.53
32-8M-20	32	5F	81.49	1610	42	80.2	87	28	25	-	63	0.42
34-8M-20	34	5F	86.58	1610	42	85.2	91	28	25	-	64	0.55
36-8M-20	36	5F	91.67	1610	42	90.3	97	28	25	-	68	0.68
38-8M-20	38	5F	96.77	1610	42	95.4	102	28	25	-	72	0.80
40-8M-20	40	5F	101.86	1610	42	100.5	106	28	25	-	76	1.00
44-8M-20	44	8F	112.05	2012	50	110.7	120	28	32	93	-	1.20
48-8M-20	48	8F	122.23	2012	50	120.9	128	28	32	96	-	1.60
56-8M-20	56	8F	142.60	2012	50	141.2	150	28	32	110	-	2.40
64-8M-20	64	11F	162.97	2012	50	161.6	168	28	32	110	137	2.70
72-8M-20	72	11F	183.35	2012	50	182.0	192	28	32	110	158	3.30
80-8M-20	80	11	203.72	2012	50	202.4	-	28	32	110	180	3.50
90-8M-20	90	11	229.18	2012	50	227.8	-	28	32	110	204	3.65
<b>8mm Pitch Pulleys for 30mm Wide Belt Ref. 8M30</b>												
22-8M-30	22	5F	56.02	1108	28	54.7	60	38	22	-	37	0.32
24-8M-30	24	5F	61.12	1108	28	59.8	66	38	22	-	44	0.38
26-8M-30	26	5F	66.21	1108	28	64.9	70	38	22	-	44	0.45
28-8M-30	28	5F	71.30	1210	32	70.1	75	38	25	-	50	0.50
30-8M-30	30	9F	76.39	1615	42	75.1	83	38	38	-	-	0.55
32-8M-30	32	9F	81.49	1615	42	80.2	87	38	38	-	-	0.59
34-8M-30	34	9F	86.58	1615	42	85.2	91	38	38	-	-	0.77
36-8M-30	36	9F	91.67	1615	42	90.3	97	38	38	-	-	0.96
38-8M-30	38	9F	96.77	1615	42	95.4	102	38	38	-	-	1.15
40-8M-30	40	9F	101.86	1615	42	100.5	106	38	38	-	-	1.34
44-8M-30	44	13F	112.05	2012	50	110.7	120	38	32	-	86	1.33
48-8M-30	48	13F	122.23	2012	50	120.9	128	38	32	-	90	1.78
56-8M-30	56	13F	142.60	2012	50	141.2	150	38	32	-	110	3.76
64-8M-30	64	8F	162.97	2517	60	161.6	168	38	45	125	-	4.20
72-8M-30	72	11F	183.35	2517	60	182.0	192	38	45	125	158	4.30
80-8M-30	80	11	203.72	2517	60	202.4	-	38	45	125	180	4.60
90-8M-30	90	11	229.18	2517	60	227.8	-	38	45	125	204	5.00
112-8M-30	112	11	285.21	2517	60	283.8	-	38	45	125	254	6.20
144-8M-30	144	11	366.69	2517	60	365.3	-	38	45	125	336	9.00
<b>8mm Pitch Pulleys for 50mm Wide Belt Ref. 8M50</b>												
28-8M-50	28	13F	71.30	1210	32	70.1	75	60	25	-	50	0.60
30-8M-50	30	5F	76.39	1615	42	75.1	83	60	38	-	58	0.65
32-8M-50	32	5F	81.49	1615	42	80.2	87	60	38	-	62	0.82
34-8M-50	34	5F	86.58	1615	42	85.2	91	60	38	-	65	1.06
36-8M-50	36	5F	91.67	1615	42	90.3	97	60	38	-	68	1.30
38-8M-50	38	5F	96.77	1615	42	95.4	102	60	38	-	72	1.60
40-8M-50	40	13F	101.86	2012	50	100.5	106	60	32	-	82	1.71
44-8M-50	44	13F	112.05	2012	50	110.7	120	60	32	-	91	1.78
48-8M-50	48	13F	122.23	2012	50	120.9	128	60	32	-	95	2.30
56-8M-50	56	13F	142.60	2517	60	141.2	150	60	45	-	116	3.40
64-8M-50	64	13F	162.97	2517	60	161.6	168	60	45	-	137	5.00
72-8M-50	72	12F	183.35	2517	60	182.0	192	60	45	125	158	6.70
80-8M-50	80	13	203.72	3020	75	202.4	-	60	51	-	180	8.80
90-8M-50	90	12	229.18	3020	75	227.8	-	60	51	170	204	10.00
112-8M-50	112	12	285.21	3020	75	283.8	-	60	51	170	260	12.00
144-8M-50	144	12	366.69	3020	75	365.3	-	60	51	170	341	15.20
168-8M-50	168	7	427.81	3525	90	426.4	-	60	65	198	402	17.50
192-8M-50	192	7	488.92	3525	90	487.6	-	60	65	198	460	24.00
<b>8mm Pitch Pulleys for 85mm Wide Belt Ref. 8M85</b>												
34-8M-85	34	13F	86.58	1615	42	85.2	91	95	38	-	65	1.43
36-8M-85	36	13F	91.67	1615	42	90.3	97	95	38	-	68	1.87
38-8M-85	38	13F	96.77	1615	42	95.4	102	95	38	-	72	2.20
40-8M-85	40	13F	101.86	2012	50	100.5	106	95	32	-	82	1.80
44-8M-85	44	13F	112.05	2012	50	110.7	120	95	32	-	91	2.30
48-8M-85	48	13F	122.23	2517	60	120.9	128	95	45	-	100	2.66
56-8M-85	56	13F	142.60	2517	60	141.2	150	95	45	-	117	4.45
64-8M-85	64	13F	162.97	2517	60	161.6	168	95	45	-	137	6.20
72-8M-85	72	13F	183.35	3020	75	182.0	192	95	51	-	158	8.00
80-8M-85	80	13	203.72	3020	75	202.4	-	95	51	-	180	10.00
90-8M-85	90	12	229.18	3020	75	227.8	-	95	51	170	204	10.80
112-8M-85	112	12	285.21	3020	75	283.8	-	95	51	170	260	15.00
144-8M-85	144	12	366.69	3525	90	365.3	-	95	65	198	336	20.00
168-8M-85	168	12	427.81	3525	90	426.4	-	95	65	198	395	22.00
192-8M-85	192	12	488.92	3525	90	487.6	-	95	65	198	455	26.00

## Pulley Types

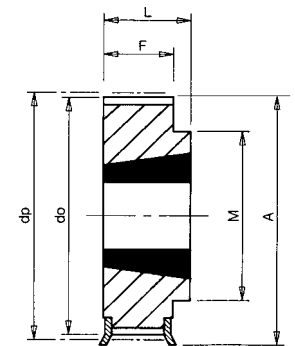
The pulley types referred to in tables are as drawings following. Suffix 'F' indicates pulley has flanges. Pulleys below dividing lines in tables are manufactured in Cast Iron, and pulleys over 300mm diameter generally have lightening holes in web.



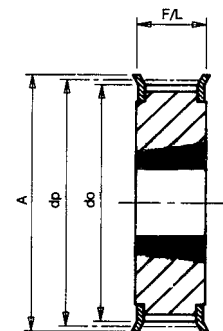
Type 5F



Type 7



Type 8/8F



Type 9F

For bore sizes of Taper Bushes for above pulleys refer to page 25. Pulleys are also available with pilot bore ref. pages 17-20. All dimensions in mm.

Tel +44 121 360 0155

Fax +44 121 325 1079

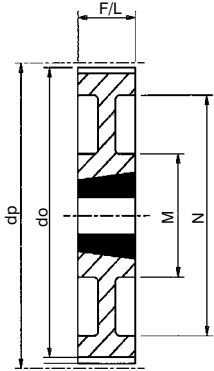
Email sales@crossmorse.com

# Taper Bore Pulleys for HTD Size 14M Belts

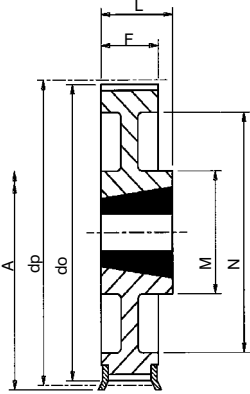


## Pulley Types

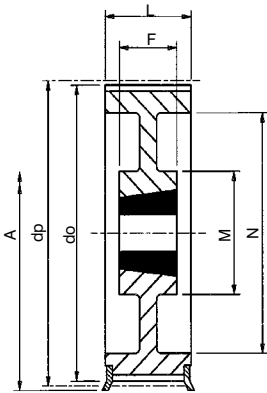
The pulley types referred to in tables are as drawings following. Suffix 'F' indicates pulley has flanges. Pulleys below dividing lines in tables are manufactured in Cast iron, and pulleys over 350mm diameter generally have lightening holes in web.



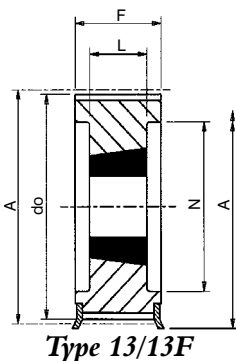
Type 10



Type 11/11F



Type 12/12F



Type 13/13F

Catalogue No.	No. Teeth Z	Pulley Type	Pitch Circle Dia. dp	Taper Bush Ref.	Max. Bore d	Outside Diameter do	Flange Diameter A	Pulley Width F	Bore Length L	Hub Diameter M	Rim Diameter N	Approx Weight kg
<b>14mm Pitch Pulleys for 40mm Wide Belts. Ref. 14M40</b>												
28-14M-40	28	13F	124.78	2012	50	122.1	128	54	32	-	94	2.07
30-14M-40	30	13F	133.69	2012	50	131.0	138	54	32	-	98	2.65
32-14M-40	32	13F	142.60	2012	50	139.9	154	54	32	-	108	3.40
34-14M-40	34	13F	151.52	2517	60	148.8	160	54	45	-	110	3.87
36-14M-40	36	13F	160.43	2517	60	157.7	168	54	45	-	120	4.80
38-14M-40	38	13F	169.34	2517	60	166.6	184	54	45	-	130	5.40
40-14M-40	40	13F	178.25	2517	60	175.5	188	54	45	-	138	6.00
44-14M-40	44	13F	196.08	3020	75	193.3	212	54	51	-	155	7.80
48-14M-40	48	13F	213.90	3020	75	211.1	226	54	51	-	170	9.40
56-14M-40	56	12F	249.55	3020	75	246.8	256	54	51	170	208	10.80
64-14M-40	64	12F	285.21	3020	75	282.4	296	54	51	170	240	13.40
72-14M-40	72	12	320.86	3020	75	318.1	-	54	51	170	280	15.20
80-14M-40	80	12	356.51	3020	75	353.7	-	54	51	170	315	16.00
90-14M-40	90	12	401.07	3020	75	398.3	-	54	51	170	360	17.80
112-14M-40	112	12	499.11	3020	75	496.3	-	54	51	170	457	25.60
144-14M-40	144	12	641.71	3020	75	638.9	-	54	51	170	600	32.00
168-14M-40	168	12	748.66	3020	75	745.9	-	54	51	170	706	44.00
192-14M-40	192	12	855.62	3020	75	852.8	-	54	51	170	813	49.00
<b>14mm Pitch Pulleys for 55mm Wide Belts. Ref. 14M55</b>												
28-14M-55	28	13F	124.78	2012	50	122.1	128	70	32	-	94	2.20
30-14M-55	30	13F	133.69	2517	60	131.0	138	70	45	-	100	2.70
32-14M-55	32	13F	142.60	2517	60	139.9	154	70	45	-	108	3.60
34-14M-55	34	13F	151.52	2517	60	148.8	160	70	45	-	110	4.55
36-14M-55	36	13F	160.43	2517	60	157.7	168	70	45	-	120	5.20
38-14M-55	38	13F	169.34	2517	60	166.6	184	70	45	-	130	6.20
40-14M-55	40	13F	178.25	2517	60	175.5	188	70	45	-	138	7.00
44-14M-55	44	13F	196.08	3020	75	193.3	212	70	51	-	155	8.60
48-14M-55	48	13F	213.90	3020	75	211.1	226	70	51	-	170	10.40
56-14M-55	56	12F	249.55	3020	75	246.8	256	70	51	170	208	12.40
64-14M-55	64	12F	285.21	3020	75	282.4	296	70	51	170	240	14.50
72-14M-55	72	12	320.86	3020	75	318.1	-	70	51	170	280	16.20
80-14M-55	80	12	356.51	3020	75	353.7	-	70	51	170	315	17.50
90-14M-55	90	12	401.07	3020	75	398.3	-	70	51	170	360	20.10
112-14M-55	112	12	499.11	3020	75	496.3	-	70	51	170	457	28.40
144-14M-55	144	12	641.71	3020	75	638.9	-	70	51	170	600	36.20
168-14M-55	168	12	748.66	3020	75	745.9	-	70	51	170	706	49.00
192-14M-55	192	12	855.62	3020	75	852.8	-	70	51	170	813	53.00
<b>14mm Pitch Pulleys for 85mm Wide Belts. Ref. 14M85</b>												
28-14M-85	28	13F	124.78	2517	60	122.1	128	102	45	-	98	2.70
30-14M-85	30	13F	133.69	2517	60	131.0	138	102	45	-	100	3.75
32-14M-85	32	13F	142.60	2517	60	139.9	154	102	45	-	108	4.80
34-14M-85	34	13F	151.52	2517	60	148.8	160	102	45	-	110	6.00
36-14M-85	36	13F	160.43	3020	75	157.7	168	102	51	-	120	6.33
38-14M-85	38	13F	169.34	3020	75	166.6	184	102	51	-	130	6.80
40-14M-85	40	13F	178.25	3020	75	175.5	188	102	51	-	138	8.00
44-14M-85	44	13F	196.08	3020	75	193.3	212	102	51	-	153	11.80
48-14M-85	48	13F	213.90	3020	75	211.1	226	102	51	-	170	15.10
56-14M-85	56	13F	249.55	3525	90	246.8	256	102	65	-	210	19.00
64-14M-85	64	12F	285.21	3525	90	282.4	296	102	65	190	240	23.00
72-14M-85	72	12	320.86	3525	90	318.1	-	102	65	190	280	25.00
80-14M-85	80	12	356.51	3525	90	353.7	-	102	65	190	315	26.00
90-14M-85	90	12	401.07	3525	90	398.3	-	102	65	190	360	27.80
112-14M-85	112	12	499.11	3525	90	496.3	-	102	65	190	457	36.50
144-14M-85	144	12	641.71	3525	90	638.9	-	102	65	190	600	48.00
168-14M-85	168	12	748.66	3525	90	745.9	-	102	65	190	706	60.00
192-14M-85	192	10	855.62	4040	100	852.8	-	102	102	230	813	86.00
<b>14mm Pitch Pulleys for 115mm Wide Belts. Ref. 14M115</b>												
28-14M-115	28	13F	124.78	2517	60	122.1	128	133	45	-	98	3.77
30-14M-115	30	13F	133.69	2517	60	131.0	138	133	45	-	100	5.00
32-14M-115	32	13F	142.60	2517	60	139.9	154	133	45	-	108	6.80
34-14M-115	34	13F	151.52	2517	60	148.8	160	133	45	-	110	8.00
36-14M-115	36	13F	160.43	3020	75	157.7	168	133	51	-	125	8.40
38-14M-115	38	13F	169.34	3020	75	166.6	184	133	51	-	130	8.70
40-14M-115	40	13F	178.25	3020	75	175.5	188	133	51	-	138	9.20
44-14M-115	44	13F	196.08	3030	75	193.3	212	133	76	-	155	14.00
48-14M-115	48	13F	213.90	3030	75	211.1	226	133	76	-	170	17.10
56-14M-115	56	13F	249.55	3535	90	246.8	256	133	89	-	208	24.80
*64-14M-115	64	12F	285.21	3535	90	282.4	296	133	89	190	240	27.00
*72-14M-115	72	12	320.86	3535	90	318.1	-	133	89	190	280	29.00
80-14M-115	80	12	356.51	3535	90	353.7	-	133	89	190	315	32.00
90-14M-115	90	12	401.07	3535	90	398.3	-	133	89	190	360	36.50
112-14M-115	112	12	499.11	3535	90	496.3	-	133	89	190	457	46.00
144-14M-115	144	12	641.71	4040	100	638.9	-	133	102	230	600	68.00
168-14M-115	168	12	748.66	4040	100	745.9	-	133	102	230	706	82.60
192-14M-115	192	12	855.62	4040	100	852.8	-	133	102	230	813	96.00

All dimensions in mm.

For 14M170 belt drives a standard range of pilot bore pulleys is available, ref page 20, alternatively taper bore sprockets can be manufactured to order, for details of recommended dimensions contact Cross & Morse Technical Department. For bore sizes of Taper Bushes refer to page 25.

\* Non-stock items manufactured to customer order only.

Tel +44 121 360 0155 Fax +44 121 325 1079 Email sales@crossmorse.com